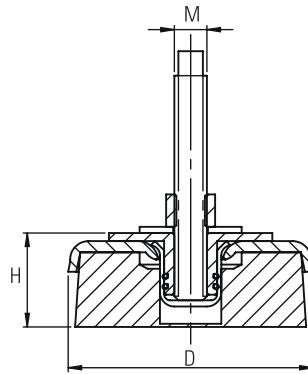


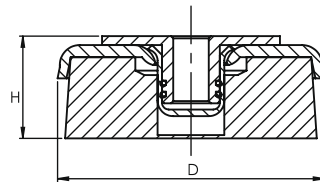
ES SERIES Machine Anti Vibration Mounts

CODE	D (mm)	M	Bolt Length	H (mm)	Leveling Adj	Load kg / pcs
ES1	80	M12x1.25	120	45	12	500
ES1/A	80	M16x1.5	120	45	12	500
ES1/B	80	M10x1.5	100	45	12	500
ES2	120	M16x1.5	120	45	15	1000
ES2/A	120	M12x1.25	120	45	15	1000
ES2/B	120	M16x2	120	45	15	1000
ES3	160	M16x1.5	120	54	15	2000
ES4	160	M20x1.5	170	55	15	4000
ES5	200	M20x2.5	170	55	25	5000
ES6	200	M24x3	170	55	25	6000
ES7	240	M20x2.5	170	65	25	7000
ES7/A	240	M24x3	170	65	25	8000
ES7/B	240	M30x3	170	65	25	9000



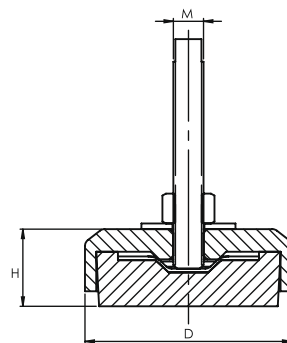
ESM SERIES Machine Anti Vibration Mounts

CODE	D (mm)	H (mm)	Load kg / pcs
ESM 80	80	40	500
ESM 120	120	40	1000
ESM 160	160	40	2000
ESM 200	200	50	4000

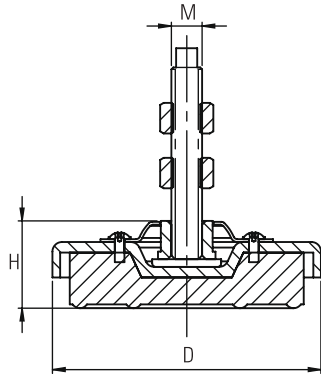


ED SERIES Cast-Iron Machine Mounts

CODE	D (mm)	M	Bolt Length	H (mm)	Leveling Adj	Load kg / pcs
ED1	70	M12x1.25	70	40	10	400
ED2	110	M16x1.5	120	42	15	600
ED3	150	M16x1.5	120	45	15	1000
ED4	160	M20x1.5	170	45	18	1500

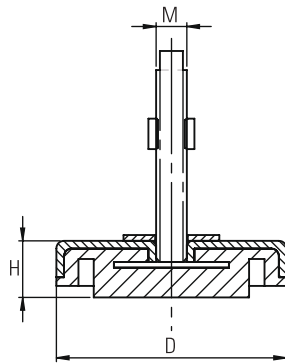


Machine Mounts **ST SERIES**



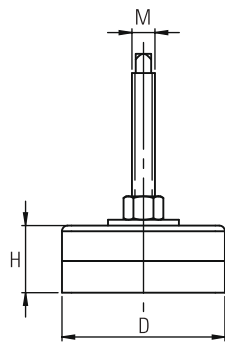
CODE	D (mm)	M	Bolt Length	H (mm)	Leveling Adj	Load kg / pcs
ST140 M16	140	M16	100	45	15	1500

Machine Mounts **SL SERIES**



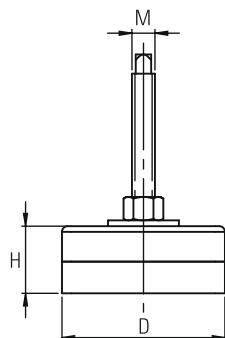
CODE	D (mm)	M	Bolt Length	H (mm)	Leveling Adj	Load kg / pcs
SL 080 12	80	M12	100	32	8	300
SL 080 16	80	M16	120	32	8	400
SL 120 12	120	M12	100	35	12	700
SL 120 16	120	M16	120	35	12	800
SL 160 16	160	M16	120	40	12	1200
SL 160 20	160	M20	150	40	12	1500

Square Machine Mounts **SL SERIES**



CODE	LxL (mm)	M	Bolt Length	H (mm)	Leveling Adj	Load kg / pcs
SL60x60	60x60	M12	100	35	10	300
SL70x70	70x70	M12	100	32	6	400

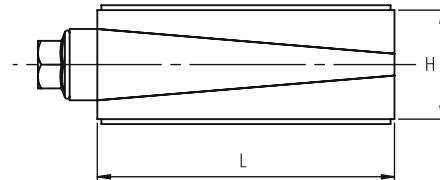
Cast-Iron Base Machine Mounts **SL SERIES**



CODE	LxL (mm)	M	Bolt Length	H (mm)	Leveling Adj	Load kg / pcs
SL 80x80	80x80	M12	100	35	10	1000
SL120x120	120x120	M16	120	40	10	2000
SL140x140	140x140	M20	170	40	12	3000
SL160x160	160x160	M20	170	45	12	4000

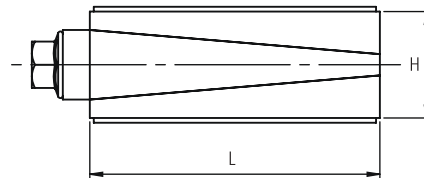
DF SERIES Wedge Mounts

CODE	L (mm)	W (mm)	H (mm)	Leveling Adj	Load kg / pcs
DF100x50	100	50	45	8	1000
DF150x75	150	75	45	10	2000
DF200x100	200	100	55	10	3800
DF250x200	250	200	65	15	5000



DB SERIES Wedge Mounts With Bolt

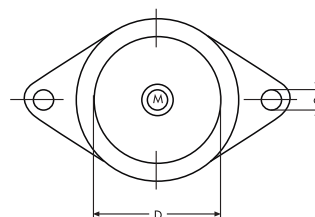
CODE	L (mm)	W (mm)	H (mm)	Leveling Adj	Load kg / pcs
DB110	110	110	50	8	1600
DB150	150	150	55	10	3000
DB200	200	200	55	12	5000
DB250	250	250	70	15	6000



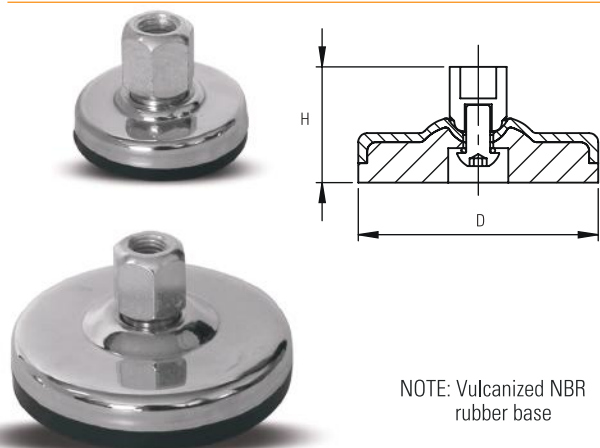
BS SERIES Machine Mounts

CODE	D (mm)	M	d (mm)	H (mm)	Leveling Adj	Load kg / pcs
BS62	62	10	10	30	2	200
BS80	90	12	10	45	3	300
BS115	115	16	16	45	4	650

(Floor Mount Option)



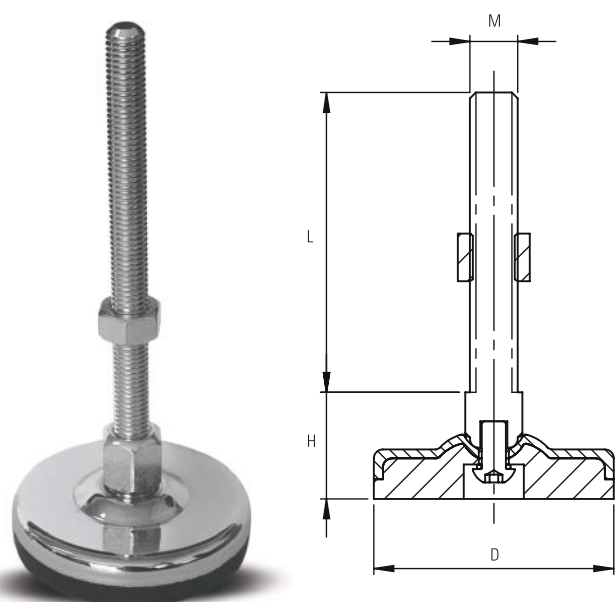
Chrome Plated Female Feet **LS SERIES**



NOTE: Vulcanized NBR rubber base

CODE	D (mm)	M	H (mm)	Load kg / pcs
LS 50 10	50	M10	40	300
LS 50 12	50	M12	40	300
LS 50 16	50	M16	40	300
LS 80 10	80	M10	40	750
LS 80 12	80	M12	40	750
LS 80 16	80	M16	40	750
LS100 10	100	M10	42	1000
LS100 12	100	M12	42	1000
LS100 16	100	M16	42	1000

Chrome Plated Leveling Feet **LS SERIES**

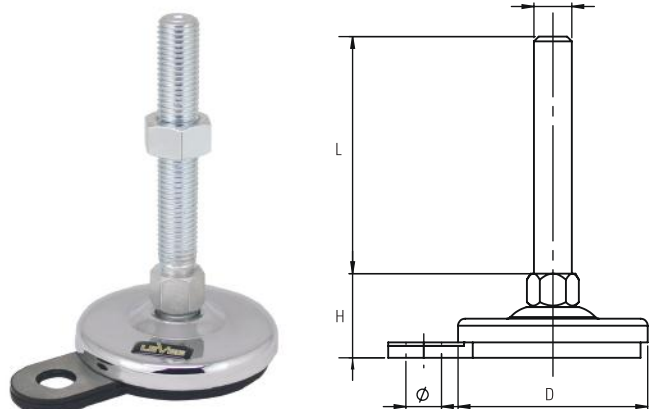


NOTE: Vulcanized NBR rubber base

CODE	D (mm)	M	L (mm)	H (mm)	Load kg / pcs
LS 50 1050	50	M10x50	50	40	300
LS 50 1010	50	M10x100	100	40	300
LS 50 1250	50	M12x50	50	40	300
LS 50 1210	50	M12x100	100	40	300
LS 50 1610	50	M16x100	100	40	300
LS 80 1010	80	M10x100	100	40	750
LS 80 1015	80	M10x150	150	40	750
LS 80 1210	80	M12x100	100	40	750
LS 80 1215	80	M12x150	150	40	750
LS 80 1610	80	M16x100	100	40	750
LS 80 1615	80	M16x150	150	40	750
LS 80 2010	80	M20x100	100	40	750
LS 80 2015	80	M20x150	150	40	750
LS 10 1610	100	M16x100	100	40	1000
LS 10 1615	100	M16x150	150	40	1000
LS 10 2010	100	M20x100	100	40	1000
LS 10 2015	100	M20x150	150	40	1000

Chrome Plated Floor Mount Leveling Feet **LMS SERIES**

New Product

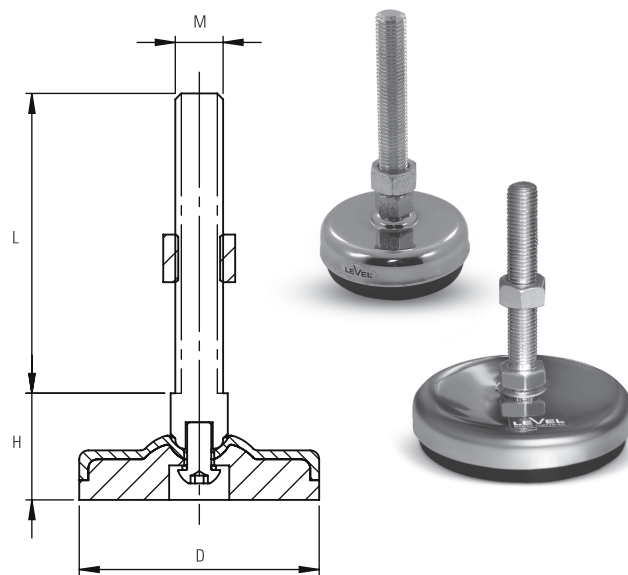


CODE	D (mm)	M	L (mm)	H (mm)	Load kg / pcs
LMS 80 1050	80	M10x50	50	35	750
LMS 80 1010	80	M10x100	100	35	750
LMS 80 1250	80	M12x50	50	35	750
LMS 80 1210	80	M12x100	100	35	750
LMS 80 1215	80	M12x150	150	35	750
LMS 80 1610	80	M16x100	100	35	750
LMS 80 1615	80	M16x150	150	35	750
LMS 80 2010	80	M20x100	100	35	750
LMS 80 2015	80	M20x150	150	35	750

(Floor Mount Option)

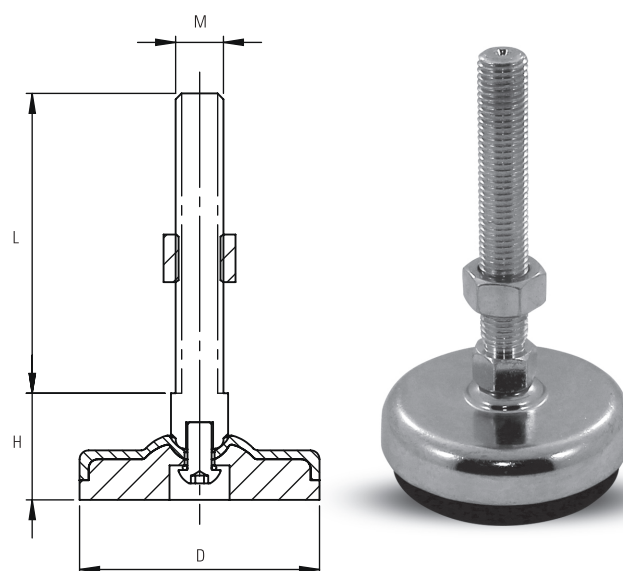
EL SERIES Chrome Plated Leveling Feet

CODE	D (mm)	M	L (mm)	H (mm)	Load kg / pcs
EL 04 1050	40	M10x50	50	26	100
EL 04 1250	40	M12x50	50	28	100
EL 06 1050	65	M10x50	50	28	250
EL 06 1270	65	M12x70	70	30	300
EL 06 1610	65	M16x100	100	32	400
EL 08 1210	80	M12x100	100	42	400
EL 08 1610	80	M16x100	100	45	500
EL 08 2010	80	M20x100	100	45	600
EL 10 1210	100	M12x100	100	42	350
EL 10 1610	100	M16x100	100	45	600
EL 10 2010	100	M20x100	150	45	800
EL 12 1210	120	M12x100	100	45	500
EL 12 1610	120	M16x100	100	47	800
EL 12 2015	120	M20x150	150	50	1000
EL 16 1610	160	M16x100	100	50	2000
EL 16 2015	160	M20x150	150	53	3000
EL 20 2015	200	M20x150	150	62	4000

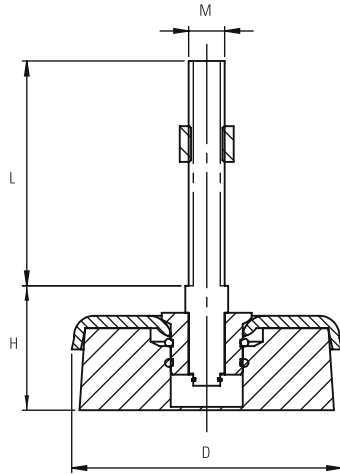


EKL SERIES Zinc Plated Leveling Feet

CODE	D (mm)	M	L (mm)	H (mm)	Load kg / pcs
EKL 04 1050	40	M10x50	50	26	100
EKL 04 1250	40	M12x50	50	28	100
EKL 06 1050	65	M10x50	50	28	250
EKL 06 1270	65	M12x70	70	30	300
EKL 06 1610	65	M16x100	100	32	400
EKL 08 1210	80	M12x100	100	42	400
EKL 08 1610	80	M16x100	100	45	500
EKL 08 2010	80	M20x100	100	45	600
EKL 10 1210	100	M12x100	100	42	350
EKL 10 1610	100	M16x100	100	45	600
EKL 10 2010	100	M20x100	100	45	800
EKL 12 1210	120	M12x100	100	45	500
EKL 12 1610	120	M16x100	100	47	800
EKL 12 2015	120	M20x150	150	50	1000
EKL 16 1610	160	M16x100	100	50	2000
EKL 16 2015	160	M20x150	150	53	3000
EKL 20 2015	200	M20x150	150	62	4000

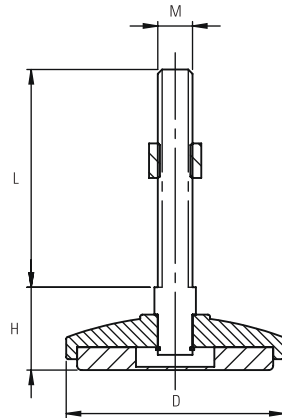


Heavy Type Leveling Feet **AL SERIES**



CODE	D (mm)	M	L (mm)	H (mm)	Load kg / pcs
AL 08 1210	80	M12x100	100	50	600
AL 08 1610	80	M16x100	100	50	800
AL 12 1610	120	M16x100	100	55	1000
AL 12 2015	120	M20x150	150	55	1200
AL 16 2015	160	M20x150	150	60	2000
AL 16 2415	160	M24x150	150	60	3000

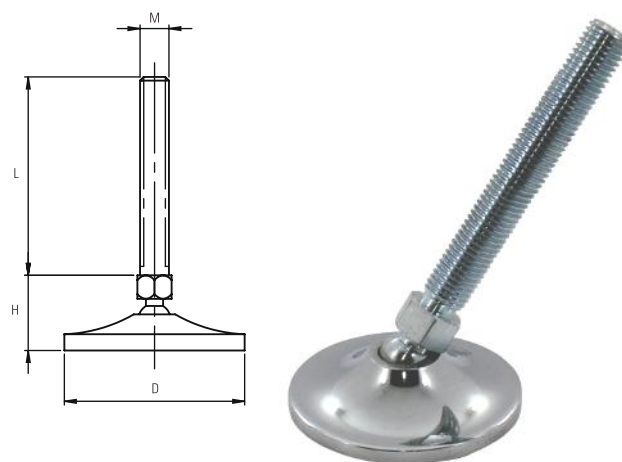
Steel Base Leveling Feet **EC SERIES**



CODE	D (mm)	M	L (mm)	H (mm)	Load kg / pcs
EC 50 1050	50	M10x50	50	32	400
EC 50 1250	50	M12x50	50	32	500
EC 50 1610	50	M16x100	100	32	600
EC 10 1610	100	M16x100	100	35	1200
EC 10 1615	100	M16x150	150	35	1200
EC 10 2015	100	M20x150	150	37	1500
EC 10 2415	100	M24x150	150	37	2000
EC 15 1610	150	M16x100	100	35	2000
EC 15 1615	150	M16x150	150	35	2000
EC 15 2015	150	M20x150	150	37	3000
EC 15 2415	150	M24x150	150	37	4000
EC 20 1610	200	M16x100	100	35	4000
EC 20 1615	200	M16x150	150	35	4000
EC 20 2015	200	M20x150	150	37	5000
EC 20 2415	200	M24x150	150	37	6000

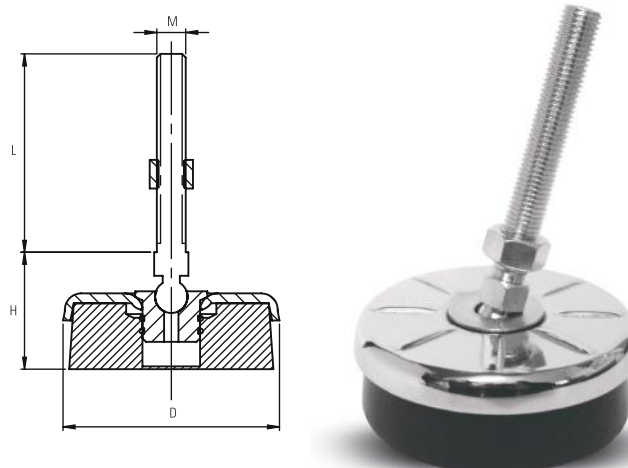
EM SERIES Chrome Plated Feet with Articulated Bolt

CODE	D (mm)	M	L (mm)	L1 (mm)	H (mm)	Load kg / pcs
EM40 0845	40	M8x45	75	45	30	100
EM40 1060	40	M10x60	90	60	30	100
EM40 1260	40	M12x60	90	60	30	100
EM60 1260	60	M12x60	90	60	30	200
EM60 1660	60	M16x60	90	60	30	200
EM80 1660	80	M16x60	100	60	40	500
EM80 1611	80	M16x110	150	110	40	500
EM80 1615	80	M16x150	190	150	40	500
EM80 2011	80	M20x110	150	110	40	600
EM100 1660	100	M16x60	100	60	40	800
EM100 1611	100	M16x110	150	110	40	800
EM100 1615	100	M16x150	190	150	40	800
EM100 1620	100	M16x200	240	200	40	800
EM100 2011	100	M20x110	150	110	40	1000
EM100 2015	100	M20x150	190	150	40	1000
EM100 2020	100	M20x200	240	200	40	1000
EM120 1611	120	M16x110	152	110	42	1200
EM120 1615	120	M16x150	192	150	42	1200
EM120 2011	120	M20x110	152	110	42	1200
EM120 2015	120	M20x150	192	150	42	1200
EM120 2020	120	M20x200	242	200	42	1200

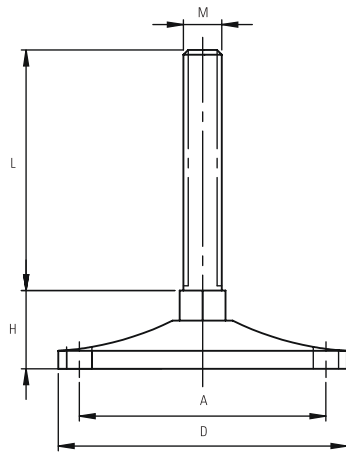


L SERIES Chrome Plated Feet with Articulated Bolt

CODE	D (mm)	M	L (mm)	H (mm)	Load kg / pcs
L08 1010	80	M10x100	100	35	300
L08 1210	80	M12x100	100	35	400
L08 1611	80	M16x110	110	35	500
L12 1210	120	M12x100	100	45	800
L12 1611	120	M16x110	110	45	1000
L12 2015	120	M20x150	150	45	1200
L16 1610	160	M16x100	100	45	1200
L16 2015	160	M20x150	150	45	1500



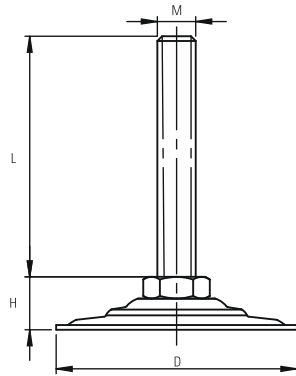
Steel Leveling Feet **EML SERIES**



CODE	D (mm)	M	L (mm)	H (mm)	A (mm)	Load kg / pcs
EML 120 1610	120	M16x100	100	30	90	1000
EML 120 1615	120	M16x150	150	30	90	1000
EML 120 2010	120	M20x100	100	32	90	1500
EML 120 2015	120	M20x150	150	32	90	1500

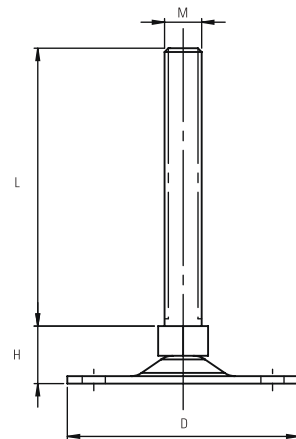
(Floor Mount Option)

Steel Sheet Leveling Feet **EMS SERIES**



CODE	D (mm)	M	L (mm)	H (mm)	Load kg / pcs
EMS 10 1290	100	M12x90	90	25	300
EMS 10 1610	100	M16x100	100	27	400
EMS 10 2015	100	M20x150	150	30	500

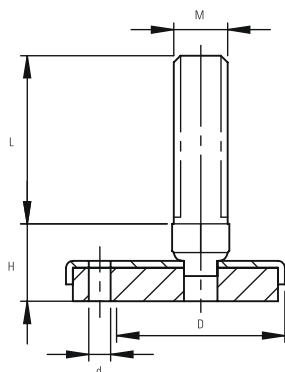
Steel Sheet Leveling Feet **EMD SERIES**



CODE	D (mm)	M	L (mm)	H (mm)	Load kg / pcs
EMD 10 1290	125	M12x90	90	25	600
EMD 10 1610	125	M16x100	100	27	800
EMD 10 2015	125	M20x150	150	30	1200

NOTE: 4 mm sheet thickness

Leveling Feet **EDL SERIES**



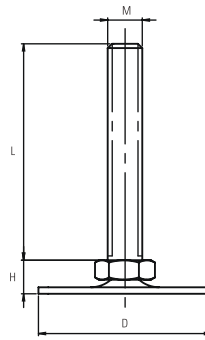
CODE	D (mm)	M	L (mm)	H (mm)	d (mm)	Load kg / pcs
EDL 50 1650	50	M16x50	50	25	6	200

(Floor Mount Option)

EMS SERIES Steel Sheet Leveling Feet

CODE	D (mm)	M	L (mm)	H (mm)	Load kg / pcs
EMS 80 1290	80	M12x90	90	15	1000
EMS 80 1610	80	M16x100	100	15	1000
EMS 80 2015	80	M20x150	150	15	1000

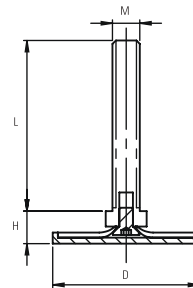
New Product



ESL SERIES Rubber Based Steel Sheet Leveling Feet

CODE	D (mm)	M	L (mm)	H (mm)	Load kg / pcs
ESL 80 1290	80	M12x90	90	19	1000
ESL 80 1610	80	M16x100	100	19	1000
ESL 80 2015	80	M20x150	150	19	1000

New Product

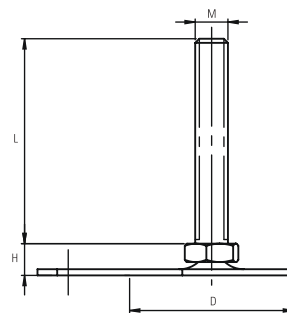


EMS SERIES Steel Sheet Leveling Feet

CODE	D (mm)	M	L (mm)	H (mm)	Load kg / pcs
EMS 85 1290	80	M12x90	90	15	1000
EMS 85 1610	80	M16x100	100	15	1000
EMS 85 2015	80	M20x150	150	15	1000

(Floor Mount Option)

New Product

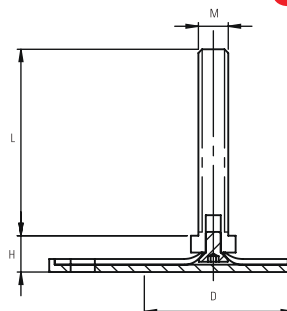


ESL SERIES Rubber Based Steel Sheet Leveling Feet

CODE	D (mm)	M	L (mm)	H (mm)	Load kg / pcs
ESL 85 1290	80	M12x90	90	19	1000
ESL 85 1610	80	M16x100	100	19	1000
ESL 85 2015	80	M20x150	150	19	1000

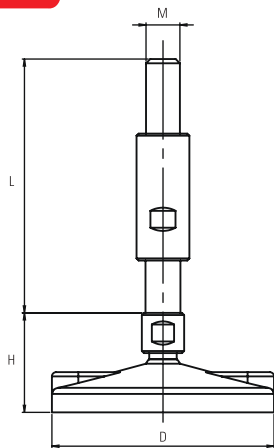
(Floor Mount Option)

New Product



Polyamide Based Sterile Feet **PS SERIES**

New Product

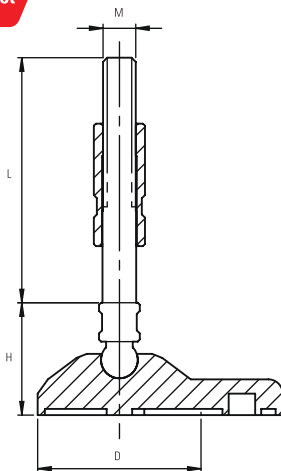


CODE	D (mm)	M	L (mm)	H (mm)	Load kg / pcs
PS 50 M16	50	M16	120	47	450
PS 50 M20	50	M20	120	47	450
PS 81 M16	81	M16	120	47	500
PS 81 M20	81	M20	120	47	500
PS 105 M16	105	M16	120	47	600
PS 105 M20	105	M20	120	47	600

(Floor Mount Option)

Polyamide Based Sterile Feet **PSD SERIES**

New Product

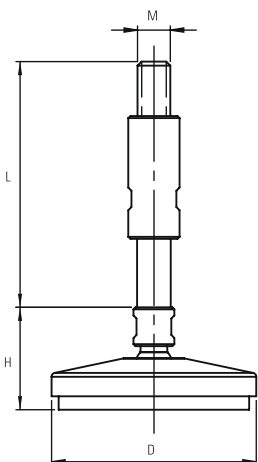


CODE	D (mm)	M	L (mm)	H (mm)	Load kg / pcs
PSD M16	80	M16	120	55	800
PSD M20	80	M16	120	55	800

(Floor Mount Option)

(Colored) Polyamide Based Sterile Feet **PS SERIES**

New Product



CODE	D (mm)	M	L (mm)	H (mm)	Load kg / pcs
PS 100 M16	100	M16	120	50	800
PS 100 M20	100	M20	120	50	800

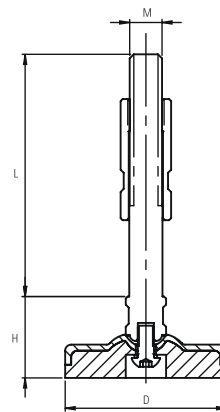
(Floor Mount Option)

Add letter from the table below for colors



PS SERIES Sterile Leveling Feet

CODE	D (mm)	M	L (mm)	H (mm)	Load kg / pcs
PS 50 M16	50	M16	120	40	300
PS 50 M20	50	M20	120	40	300
PS 80 M16	80	M16	120	40	750
PS 80 M20	80	M20	120	40	750
PS 100 M16	100	M16	120	40	1000
PS 100 M20	100	M20	120	40	1000



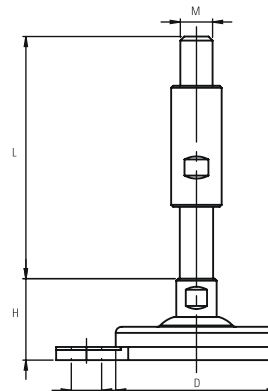
New Product



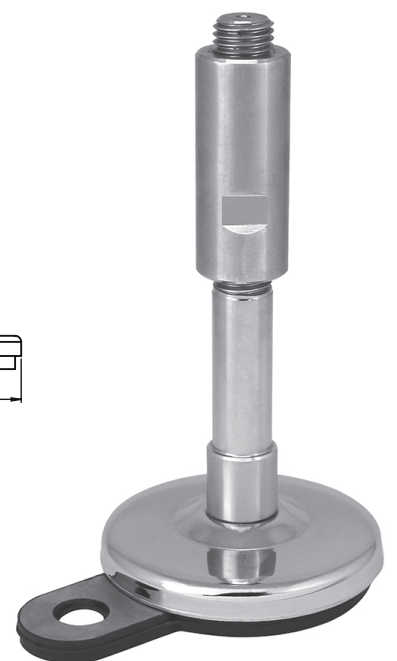
PSB SERIES Sterile Leveling Feet

CODE	D (mm)	M	L (mm)	H (mm)	Load kg / pcs
PSB 80 M16	80	M16	120	40	750
PSB 80 M20	80	M20	120	40	750

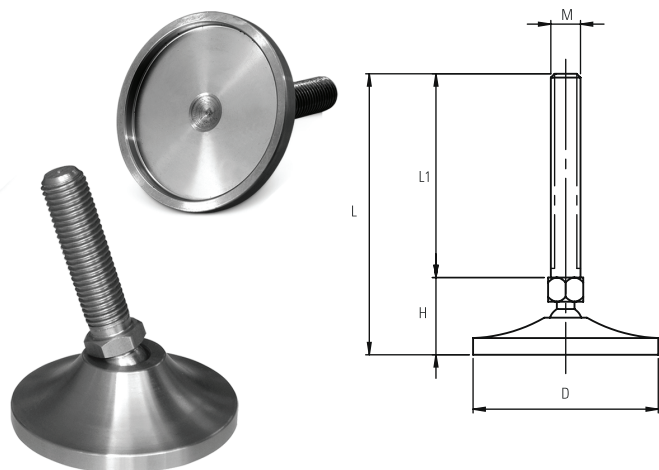
(Floor Mount Option)



New Product

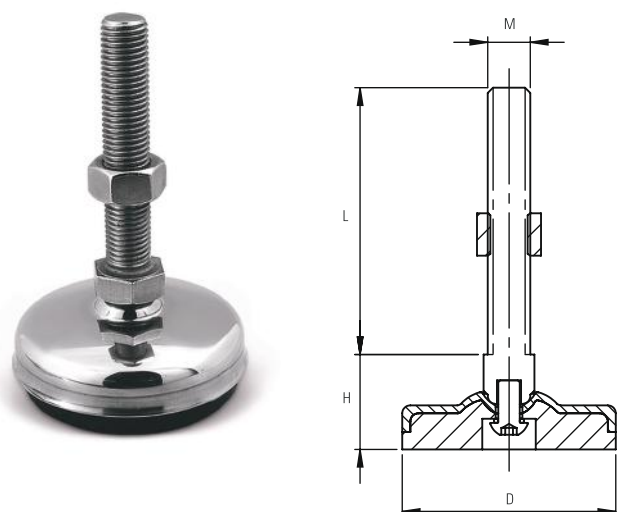


Stainless Steel Feet with Articulated Bolt **EMX SERIES**



CODE	D (mm)	M	L (mm)	L1 (mm)	H (mm)	Load kg / pcs
EMX 80 1660	80	M16x60	100	60	40	1000
EMX 80 1610	80	M16x100	140	100	40	1000
EMX 80 1615	80	M16x150	190	150	40	1000
EMX 80 2010	80	M20x100	140	100	40	2000
EMX 80 2015	80	M20x150	190	150	40	2000
EMX 10 1610	100	M16x100	150	100	40	2000
EMX 10 1615	100	M16x150	190	150	40	2000
EMX 10 2010	100	M20x100	140	100	40	2500
EMX 10 2015	100	M20x150	190	150	40	2500

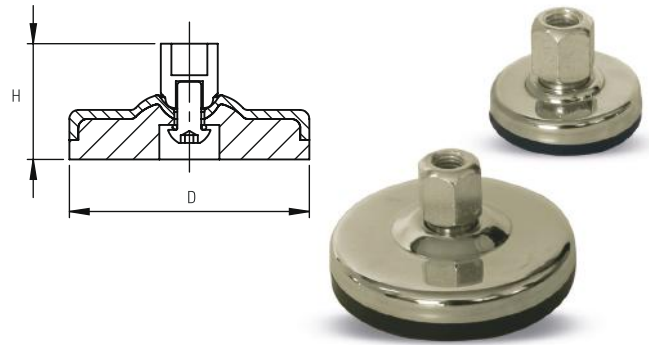
Stainless Steel Leveling Feet **EX SERIES**



CODE	D (mm)	M	L (mm)	H (mm)	Load kg / pcs
EX 60 1070	60	M10x70	70	30	300
EX 60 1270	60	M12x70	70	30	400
EX 60 1610	60	M16x100	100	32	500
EX 80 1270	80	M12x70	70	40	500
EX 80 1610	80	M16x100	100	42	600
EX 80 1615	80	M16x150	150	42	600
EX 80 1620	80	M16x200	200	42	600
EX 80 2010	80	M20x100	100	45	800
EX 80 2015	80	M20x150	150	45	800
EX 80 2020	80	M20x200	200	45	800
EX 10 1290	100	M12x90	90	42	350
EX 10 1610	100	M16x100	100	45	450
EX 10 1615	100	M16x150	150	45	450
EX 10 2010	100	M20x100	100	45	550
EX 10 2015	100	M20x150	150	45	550
EX 12 1290	120	M12x90	90	42	600
EX 12 1610	120	M16x100	100	45	800
EX 12 1615	120	M16x150	150	45	800
EX 12 1620	120	M16x200	200	45	800
EX 12 2010	120	M20x100	100	47	1200
EX 12 2015	120	M20x150	150	47	1200
EX 12 2020	120	M20x200	200	47	1200
EX 16 1610	160	M16x100	100	47	1500
EX 16 2015	160	M20x150	150	50	2000
EX 16 2415	160	M24x150	150	50	2000

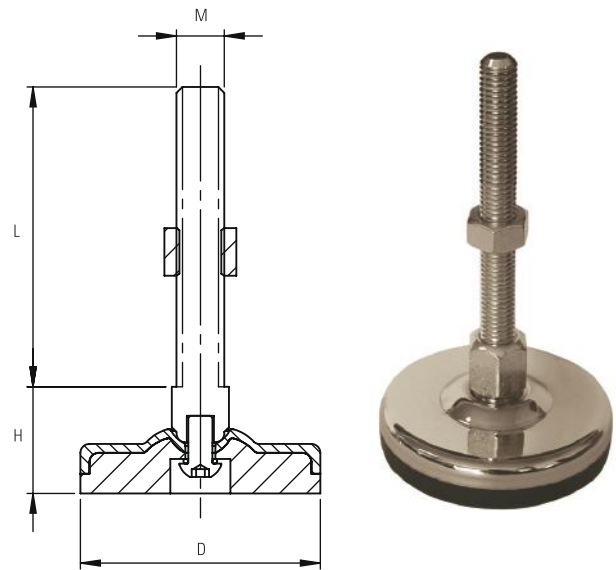
LX SERIES Stainless Steel Female Feet

CODE	D (mm)	M	H (mm)	Load kg / pcs
LX 50 10	50	M10	40	300
LX 50 12	50	M12	40	300
LX 50 16	50	M16	40	300
LX 80 10	80	M10	40	750
LX 80 12	80	M12	40	750
LX 80 16	80	M16	40	750



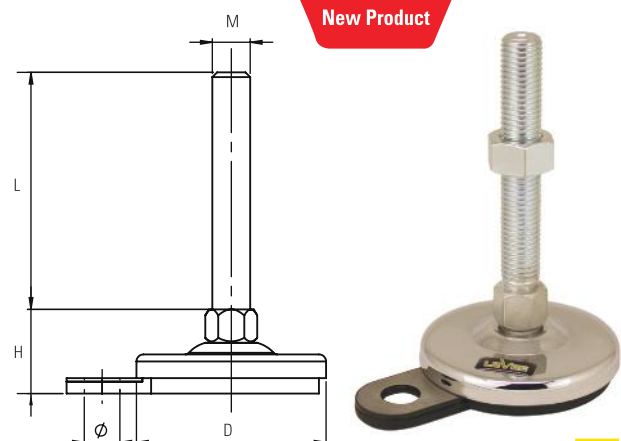
LX SERIES Stainless Steel Feet

CODE	D (mm)	M	L (mm)	H (mm)	Load kg / pcs
LX 50 1050	50	M10x50	50	35	300
LX 50 1010	50	M10x100	100	35	300
LX 50 1250	50	M12x50	50	35	300
LX 50 1210	50	M12x100	100	35	300
LX 50 1610	50	M16x100	100	35	300
LX 80 1050	80	M10x50	50	35	750
LX 80 1010	80	M10x100	100	35	750
LX 80 1250	80	M12x50	50	35	750
LX 80 1210	80	M12x100	100	35	750
LX80 1215	80	M12x150	150	35	750
LX80 1610	80	M16x100	100	35	750
LX80 1615	80	M16x150	150	35	750
LX80 2010	80	M20x100	100	35	750
LX80 2015	80	M20x150	150	35	750
LX10 1050	100	M10x50	50	35	1000
LX10 1010	100	M10x100	100	35	1000
LX10 1250	100	M12x50	50	35	1000
LX10 1210	100	M12x100	100	35	1000
LX10 1215	100	M12x150	150	35	1000
LX10 1610	100	M16x100	100	35	1000
LX10 1615	100	M16x150	150	35	1000
LX10 2010	100	M20x100	100	35	1000
LX10 2015	100	M20x150	150 </tr		



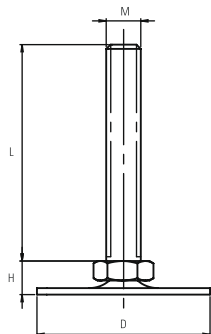
LBX SERIES Stainless Steel Floor Mount Leveling Feet

CODE	D (mm)	M	L (mm)	H (mm)	Load kg / pcs
LBX 80 1050	80	M10x50	50	35	750
LBX 80 1010	80	M10x100	100	35	750
LBX 80 1250	80	M12x50	50	35	750
LBX 80 1210	80	M12x100	100	35	750
LBX 80 1215	80	M12x150	150	35	750
LBX 80 1610	80	M16x100	100	35	750
LBX 80 1615	80	M16x150	150	35	750
LBX 80 2010	80	M20x100	100	35	750
LBX 80 2015	80	M20x150	150	35	750



Stainless Steel Sheet Leveling Feet **SX SERIES**

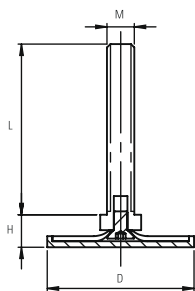
New Product



CODE	D (mm)	M	L (mm)	H (mm)	Load kg / pcs
SX 80 1080	80	M10x80	80	15	1000
SX 80 1270	80	M12x70	70	15	1000
SX 80 1210	80	M12x100	100	15	1000
SX 80 1215	80	M12x150	150	15	1000
SX 80 1610	80	M16x100	100	15	1000
SX 80 1612	80	M16x120	120	15	1000
SX 80 1615	80	M16x150	150	15	1000
SX 80 2010	80	M20x100	100	15	1000
SX 80 2015	80	M20x150	150	15	1000
SX 80 2412	80	M24x120	120	15	1000

Rubber Based Stainless Steel Sheet Leveling Feet **SLX SERIES**

New Product

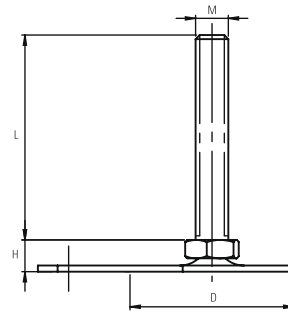


CODE	D (mm)	M	L (mm)	H (mm)	Load kg / pcs
SLX 80 1080	80	M10x80	80	19	1000
SLX 80 1270	80	M12x70	70	19	1000
SLX 80 1210	80	M12x100	100	19	1000
SLX 80 1215	80	M12x150	150	19	1000
SLX 80 1610	80	M16x100	100	19	1000
SLX 80 1612	80	M16x120	120	19	1000
SLX 80 1615	80	M16x150	150	19	1000
SLX 80 2010	80	M20x100	100	19	1000
SLX 80 2015	80	M20x150	150	19	1000
SLX 80 2412	80	M24x120	120	19	1000

SX SERIES Stainless Steel Sheet Leveling Feet

CODE	D (mm)	M	L (mm)	H (mm)	Load kg / pcs
SX 85 1080	80	M10x80	80	15	1000
SX 85 1270	80	M12x70	70	15	1000
SX 85 1210	80	M12x100	100	15	1000
SX 85 1215	80	M12x150	150	15	1000
SX 85 1610	80	M16x100	100	15	1000
SX 85 1612	80	M16x120	120	15	1000
SX 85 1615	80	M16x150	150	15	1000
SX 85 2010	80	M20x100	100	15	1000
SX 85 2015	80	M20x150	150	15	1000
SX 85 2412	80	M24x120	120	15	1000

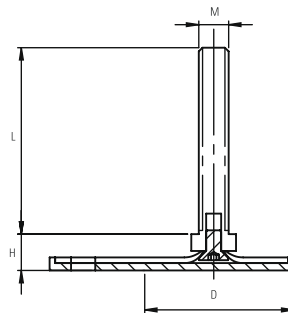
(Floor Mount Option)



SLX SERIES Rubber Based Stainless Steel Sheet Leveling Feet

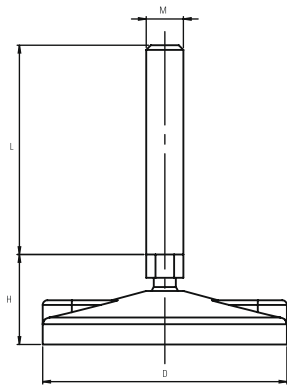
CODE	D (mm)	M	L (mm)	H (mm)	Load kg / pcs
SLX 85 1080	80	M10x80	80	19	1000
SLX 85 1270	80	M12x70	70	19	1000
SLX 85 1210	80	M12x100	100	19	1000
SLX 85 1215	80	M12x150	150	19	1000
SLX 85 1610	80	M16x100	100	19	1000
SLX 85 1612	80	M16x120	120	19	1000
SLX 85 1615	80	M16x150	150	19	1000
SLX 85 2010	80	M20x100	100	19	1000
SLX 85 2015	80	M20x150	150	19	1000
SLX 85 2412	80	M24x120	120	19	1000

(Floor Mount Option)



Eco Series Polyamide Articulated Feet with Inox Bolt **PX SERIES**

New Product

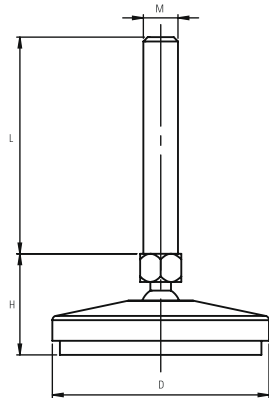


CODE	D (mm)	M	L (mm)	H (mm)	Load kg / pcs
PX 50 1610	50	M16x100	100	38	450
PX 50 1615	50	M16x150	150	38	450
PX 81 1610	80	M16x100	100	38	500
PX 81 1615	80	M16x150	150	38	500
PX 81 2010	80	M20x100	100	38	500
PX 81 2015	80	M20x150	150	38	500
PX 105 1610	105	M16x100	100	38	600
PX 105 1615	105	M16x150	150	38	600
PX 105 2010	105	M20x100	100	38	600
PX 105 2015	105	M20x150	150	38	600

(Floor Mount Option)

(Colored) Polyamide Articulated Polyamide Feet with Inox Bolt **PX SERIES**

New Product



CODE	D (mm)	M	L (mm)	H (mm)	Load kg / pcs
PX 10 1050	100	M10x50	50	46	800
PX 10 1010	100	M10x100	100	46	800
PX 10 1250	100	M112x50	50	46	800
PX 10 1210	100	M12x100	100	46	800
PX 10 1215	100	M12x150	150	46	800
PX 10 1610	100	M16x100	100	46	800
PX 10 1615	100	M16x150	150	46	800
PX 10 2010	100	M20x100	100	46	800
PX 10 2015	100	M20x150	150	46	800

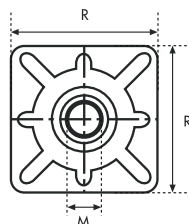
(Floor Mount Option)



Add letter from the table below for colors



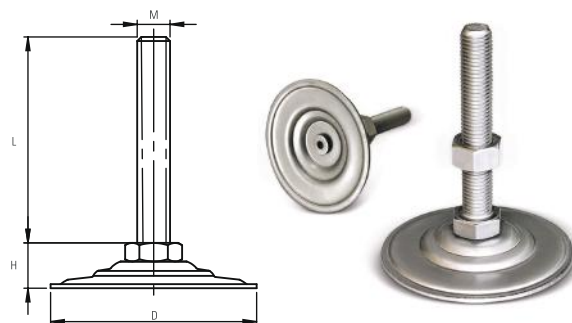
Inox Profile Tube End **RT SERIES**



CODE	D (mm)	M	R (mm)	H (mm)
40X40 M12X	40x40	M12	1.5 mm	45
40X40 M16X	40x40	M16	1.5 mm	45

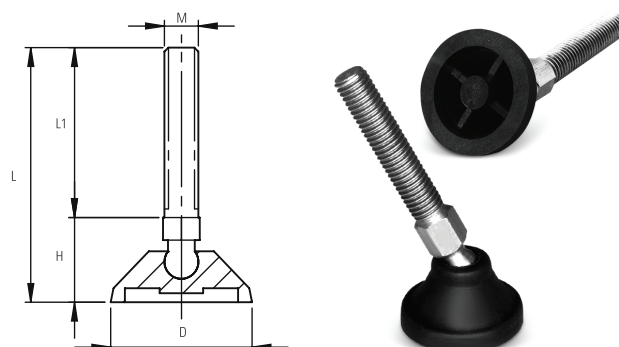
SX SERIES Stainless Steel Sheet Leveling Feet

CODE	D (mm)	M	L (mm)	H (mm)	Load kg / pcs
SX 100 1270	100	M12x70	70	25	400
SX 100 1610	100	M16x100	100	27	500
SX 100 2010	100	M20x100	100	30	600



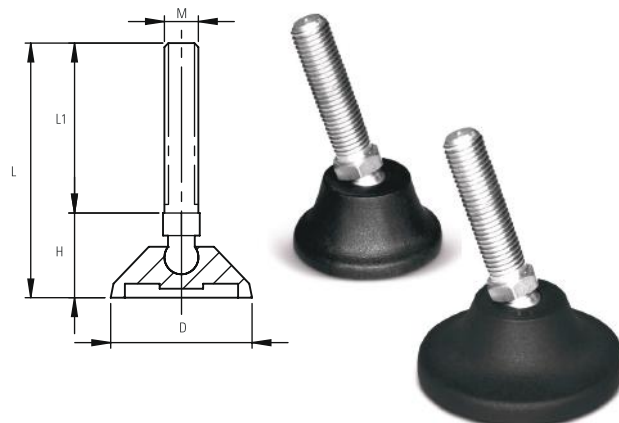
EPX SERIES Polyamide Articulated Feet with Inox Bolt (13 SW)

CODE	D (mm)	M	L (mm)	L1 (mm)	H (mm)	Load kg / pcs
EPX40 0860	40	M8x60	90	60	30	400
EPX40 1060	40	M10x60	90	60	30	400
EPX40 1260	40	M12x60	90	60	30	400
EPX50 0860	50	M8x60	90	60	30	450
EPX50 1060	50	M10x60	90	60	30	450
EPX50 1260	50	M12x60	90	60	30	450
EPX80 0860	80	M8x60	90	60	30	500
EPX80 1060	80	M10x60	90	60	30	500
EPX80 1260	80	M12x60	90	60	30	500
EPX10 0860	100	M8x60	100	60	40	600
EPX10 1060	100	M10x60	100	60	40	600
EPX10 1260	100	M12x60	100	60	40	600

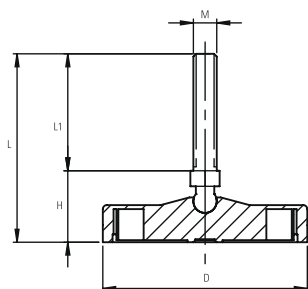


EPX SERIES Polyamide Articulated Feet with Inox Bolt (19 SW)

CODE	D (mm)	M	L (mm)	L1 (mm)	H (mm)	Load kg / pcs
EPX60 1660	60	M16x60	110	60	50	500
EPX60 1610	60	M16x100	150	100	50	500
EPX60 1615	60	M16x150	200	150	50	500
EPX60 2010	60	M20x100	150	100	50	500
EPX60 2015	60	M20x150	200	150	50	500
EPX80 1660	80	M16x60	110	60	50	600
EPX80 1610	80	M16x100	150	100	50	600
EPX80 1615	80	M16x150	200	150	50	600
EPX80 2010	80	M20x100	150	100	50	600
EPX80 2015	80	M20x150	200	150	50	600
EPX10 1660	100	M16x60	110	60	50	800
EPX10 1610	100	M16x100	150	100	50	800
EPX10 1615	100	M16x150	200	150	50	800
EPX10 2010	100	M20x100	150	100	50	800
EPX10 2015	100	M20x150	200	150	50	800
EPX11 1660	110	M16x60	110	60	50	1000
EPX11 1610	110	M16x100	150	100	50	1000
EPX11 1615	110	M16x150	200	150	50	1000
EPX11 2010	110	M20x100	150	100	50	1000
EPX11 2015	110	M20x150	200	150	50	1000



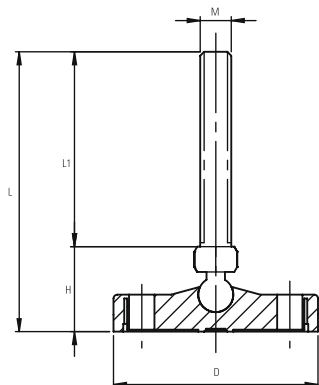
(13 SW) Polyamide Articulated Feet with Inox Bolt EPX SERIES



CODE	D (mm)	M	L (mm)	L1 (mm)	H (mm)	Load kg / pcs
EPX81 0860	81	M8x60	90	60	30	500
EPX81 1060	81	M10x60	90	60	30	500
EPX81 1260	81	M12x60	90	60	30	500
EPX105 0860	105	M8x60	90	60	35	600
EPX105 1060	105	M10x60	90	60	35	600
EPX105 1260	105	M12x60	90	60	35	600

(Floor Mount Option)

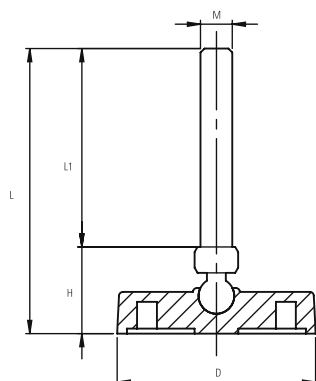
(19 SW) Polyamide Articulated Feet with Inox Bolt EPX SERIES



CODE	D (mm)	M	L (mm)	L1 (mm)	H (mm)	Load kg / pcs
EPX81 1660	81	M16x60	95	60	35	500
EPX81 1610	81	M16x100	135	100	35	500
EPX81 1615	81	M16x150	185	150	35	500
EPX81 2010	81	M20x100	135	100	35	500
EPX81 2015	81	M20x150	185	150	35	500
EPX105 1660	105	M16x60	100	60	40	600
EPX105 1610	105	M16x100	140	100	40	600
EPX105 1615	105	M16x150	190	150	40	600
EPX105 2010	105	M20x100	140	100	40	600
EPX105 2015	105	M20x150	190	150	40	600

(Floor Mount Option)

Polyamide Articulated Feet with Inox Bolt EPX SERIES

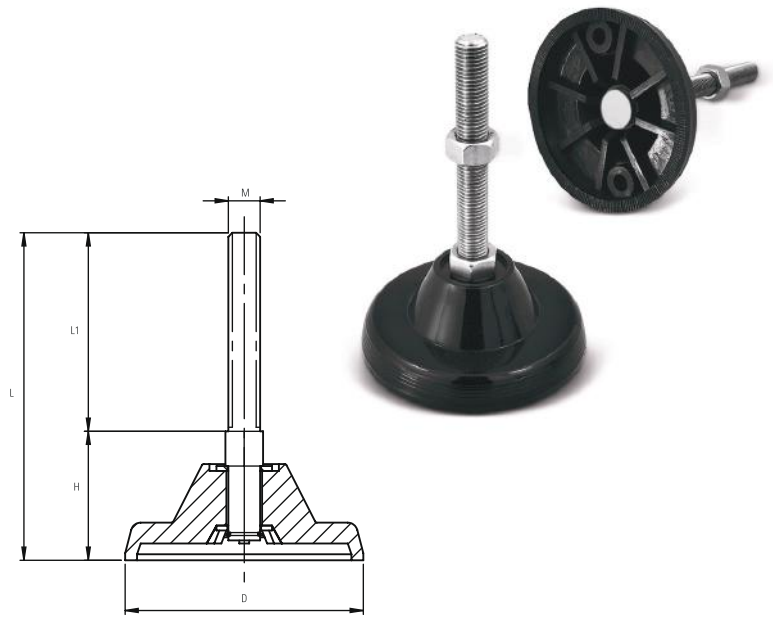


CODE	D (mm)	M	L (mm)	L1 (mm)	H (mm)	Load kg / pcs
EPK10 1610	100	M16x100	130	100	30	600
EPK10 1615	100	M16x150	180	150	30	600
EPK10 2010	100	M20x100	130	100	30	800
EPK10 2015	100	M20x150	180	150	30	800

(Floor Mount Option)

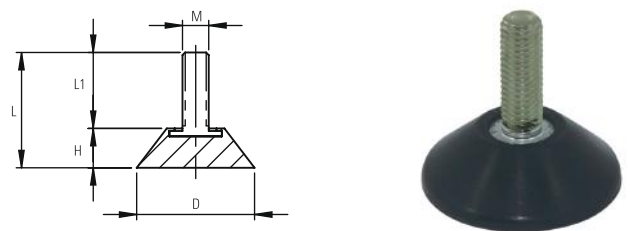
EPX 12 SERIES Polyamide Feet with Inox Bolt

CODE	D (mm)	M	L (mm)	L1 (mm)	H (mm)	Load kg / pcs
EPX12 1610	120	M16x100	160	100	60	1200
EPX12 1616	120	M16x160	220	160	60	1200
EPX12 2010	120	M20x100	160	100	60	1500
EPX12 2016	120	M20x160	220	160	60	1500



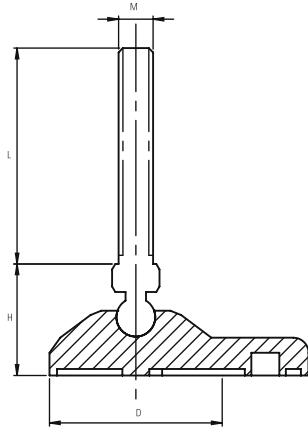
EKX 12 SERIES Rubber Feet with Stainless Steel Bolt

CODE	D (mm)	M	L (mm)	L1 (mm)	H (mm)	Load kg / pcs
EKX45 1035	45	M10x35	50	35	15	100



Polyamide Articulated Feet with Inox Bolt **PX SERIES**

New Product

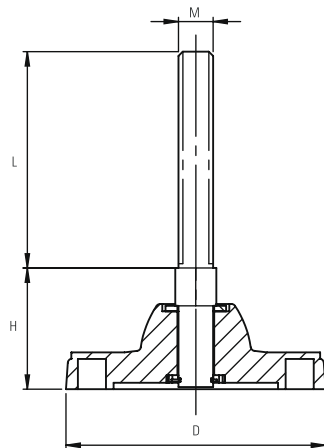


CODE	D (mm)	M	L (mm)	H (mm)	Load kg / pcs
PX 85 1050	80	M10x50	50	51	800
PX 85 1010	80	M10x100	100	51	800
PX 85 1250	80	M12x50	50	51	800
PX 85 1210	80	M12x100	100	51	800
PX 85 1215	80	M12x150	150	51	800
PX 85 1610	80	M16x100	100	51	800
PX 85 1615	80	M16x150	150	51	800
PX 85 2010	80	M20x100	100	51	800
PX 85 2015	80	M20x150	150	51	800

(Floor Mount Option)

Polyamide Articulated Feet with Inox Bolt **PX SERIES**

New Product



CODE	D (mm)	M	L (mm)	H (mm)	Load kg / pcs
PX 12 1610	120	M16x100	100	56	1250
PX 12 1615	120	M16x150	150	56	1250
PX 12 2010	120	M20x100	100	56	1250
PX 12 2016	120	M20x160	160	56	1250

(Floor Mount Option)

E SERIES Anti-Vibration Mount

CODE	D (mm)	H (mm)	Load kg / pcs
E 120	130	30	500
E 240	240	55	1.500



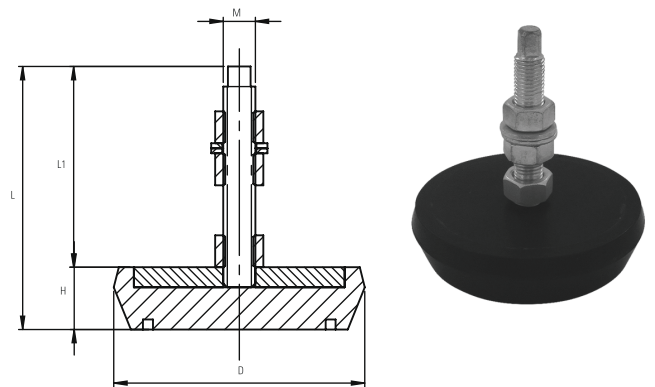
EK SERIES Rubber Pads

CODE	WxL (mm)	D (mm)	H (mm)	Load kg / pcs
EK 100 20	100x100	20	1-5 kg/cm ²	500
EK 100 30	100x100	30	1-6 kg/cm ²	500
EK 120 20	120x120	20	1-5 kg/cm ²	750
EK 120 30	120x120	30	1-6 kg/cm ²	750
EK 150 20	150x150	20	1-5 kg/cm ²	1.125
EK 150 30	150x150	30	1-6 kg/cm ²	1.125
EK 125 20	125x200	20	1-5 kg/cm ²	1.250
EK 125 30	125x200	30	1-6 kg/cm ²	1.250
EK 300 13	300x300	13	1-3 kg/cm ²	4.000
EK 300 20	300x300	20	1-5 kg/cm ²	4.000



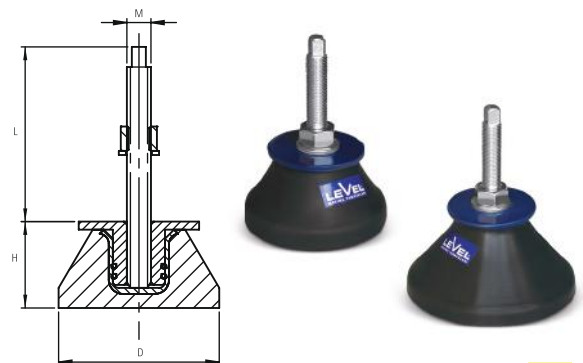
EKR SERIES Rubber Base Leveling Feet

CODE	D (mm)	M	L (mm)	L1 (mm)	H (mm)	Load kg / pcs
EKR 125 M16	125	M16x110	140	110	30	1000



EKR SERIES Rubber Base Leveling Feet

CODE	D (mm)	M	L (mm)	H (mm)	Leveling Adj.	Load kg / pcs
EK 080 M10	80	M10x1.50	150	50	15	400
EK 080 M12	80	M12x1.25	170	50	15	400
EK 080 M16	80	M16x1.50	170	50	15	400
EK 120 M10	120	M10x1.50	160	60	20	600
EK 120 M12	120	M12x1.25	180	60	20	600
EK 120 M16	120	M16x1.50	180	60	20	600

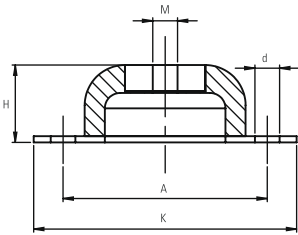


Anti-Vibration Rubber Mount **ETM 12 SERIES**



CODE	K (mm)	M	A (mm)	H (mm)	d (mm)	Load kg / pcs
ETM25	85	M8	66	25	8	50
ETM100	136	M10	110	40	11.5	100

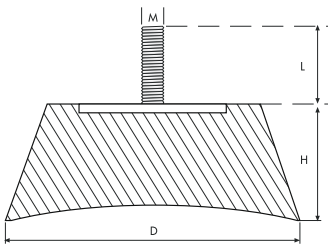
(Floor Mount Option)



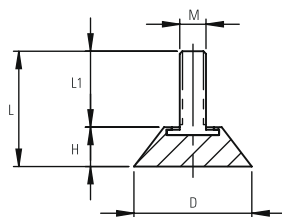
Anti-Vibration Rubber Mount **EKM SERIES**



CODE	D (mm)	M	L (mm)	H (mm)	Load kg / pcs
EKM 110	110	M12	28	50	500
EKM 150	150	M12	28	60	800



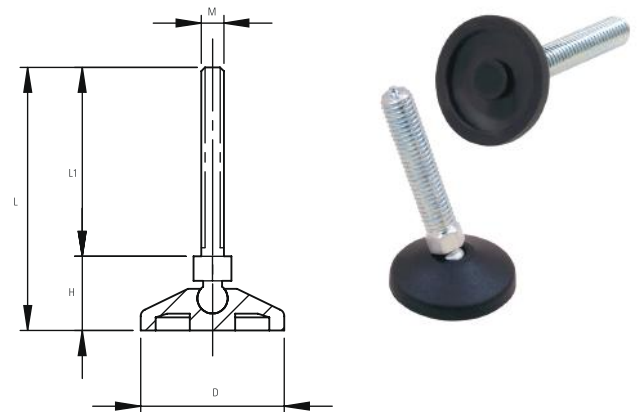
Ø45 Mini Anti-Vibration Rubber Mount **EK SERIES**



CODE	D (mm)	M	L (mm)	L1 (mm)	H (mm)	Load kg / pcs
EK45 1035	45	M10X35	50	35	15	100

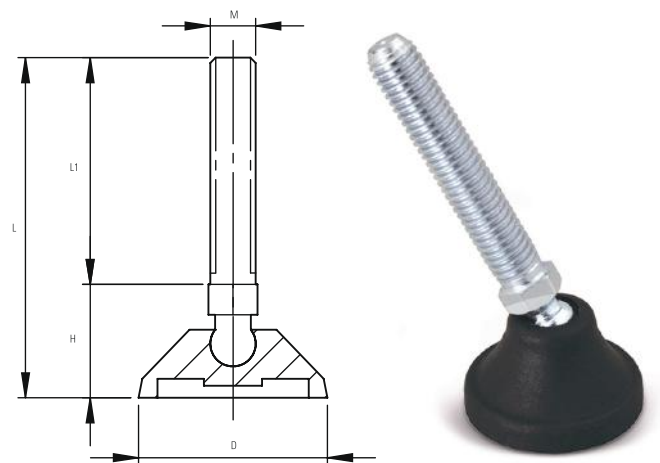
EP38 SERIES (10 SW) Ø38 Polyamide Articulated Feet

CODE	D (mm)	M	L (mm)	L1 (mm)	H (mm)	Load kg / pcs
EP38 0650	38	M6x50	68	50	18	100
EP38 0850	38	M8x50	68	50	18	100
EP38 1050	38	M10x50	68	50	18	100



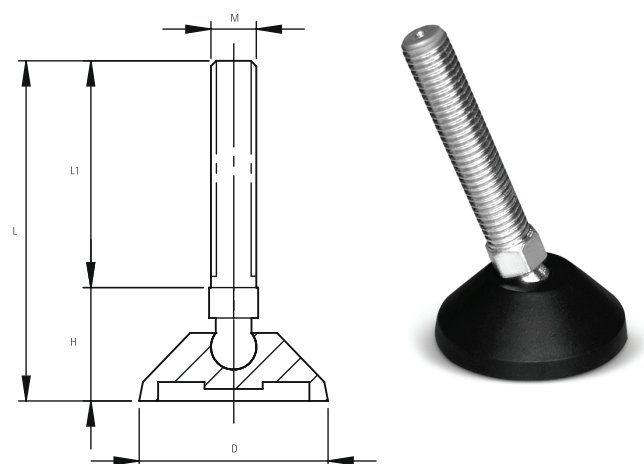
EP40 SERIES (13 SW) Ø40 Polyamide Articulated Feet

CODE	D (mm)	M	L (mm)	L1 (mm)	H (mm)	Load kg / pcs
EP40 0845	40	M8x45	75	45	30	400
EP40 0860	40	M8x60	90	60	30	400
EP40 1045	40	M10x45	75	45	30	400
EP40 1060	40	M10x60	90	60	30	400
EP40 1075	40	M10x75	105	75	30	400
EP40 1090	40	M10x90	120	90	30	400
EP40 1245	40	M12x45	75	45	30	400
EP40 1260	40	M12x60	90	60	30	400
EP40 1275	40	M12x75	105	75	30	400
EP40 1290	40	M12x90	120	90	30	400

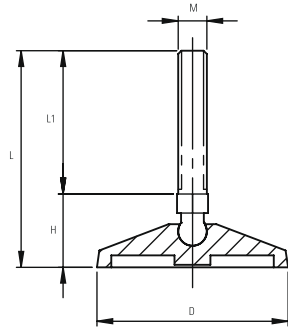


EP50 SERIES (13 SW) Ø50 Polyamide Articulated Feet

CODE	D (mm)	M	L (mm)	L1 (mm)	H (mm)	Load kg / pcs
EP50 0845	50	M8x45	75	45	30	450
EP50 0860	50	M8x60	90	60	30	450
EP50 1045	50	M10x45	75	45	30	450
EP50 1060	50	M10x60	90	60	30	450
EP50 1075	50	M10x75	105	75	30	450
EP50 1090	50	M10x90	120	90	30	450
EP50 1012	50	M10x120	150	120	30	450
EP50 1245	50	M12x45	75	45	30	450
EP50 1260	50	M12x60	90	60	30	450
EP50 1275	50	M12x75	105	75	30	450
EP50 1290	50	M12x90	120	90	30	450
EP50 1212	50	M12x120	150	120	30	450

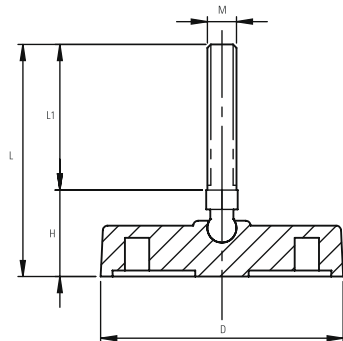


(13 SW) Ø80 Polyamide Articulated Feet **EP80 SERIES**



CODE	D (mm)	M	L (mm)	L1 (mm)	H (mm)	Load kg / pcs
EP80 0845	80	M8x45	75	45	30	600
EP80 0860	80	M8x60	90	60	30	600
EP80 1045	80	M10x45	75	45	30	600
EP80 1060	80	M10x60	90	60	30	600
EP80 1075	80	M10x75	105	75	30	600
EP80 1090	80	M10x90	120	90	30	600
EP80 1012	80	M10x120	150	120	30	600
EP80 1245	80	M12x45	75	45	30	600
EP80 1260	80	M12x60	90	60	30	600
EP80 1275	80	M12x75	105	75	30	600
EP80 1290	80	M12x90	120	90	30	600
EP80 1212	80	M12x120	150	120	30	600

(13 SW) Ø100 Polyamide Articulated Feet **EP100 SERIES**



CODE	D (mm)	M	L (mm)	L1 (mm)	H (mm)	Load kg / pcs
EP10 0845	100	M8x45	85	45	40	800
EP10 0860	100	M8x60	100	60	40	800
EP10 1045	100	M10x45	85	45	40	800
EP10 1060	100	M10x60	100	60	40	800
EP10 1075	100	M10x75	115	75	40	800
EP10 1090	100	M10x90	130	90	40	800
EP10 1012	100	M10x120	160	120	40	800
EP10 1245	100	M12x45	85	45	40	800
EP10 1260	100	M12x60	100	60	40	800
EP10 1275	100	M12x75	115	75	40	800
EP10 1290	100	M12x90	130	90	40	800
EP10 1212	100	M12x120	160	120	40	800

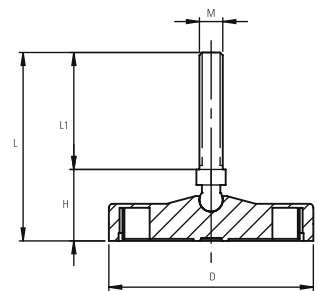
(Floor Mount Option)

EP81-105 SERIES (13 SW) Polyamide Articulated Feet

CODE	D (mm)	M	L (mm)	L1 (mm)	H (mm)	Load kg / pcs
EP81 0845	81	M8x45	75	45	30	600
EP81 0860	81	M8x60	90	60	30	600
EP81 1045	81	M10x45	75	45	30	600
EP81 1060	81	M10x60	90	60	30	600
EP81 1075	81	M10x75	105	75	30	600
EP81 1090	81	M10x90	120	90	30	600
EP81 1012	81	M10x120	150	120	30	600
EP81 1245	81	M12x45	75	45	30	600
EP81 1260	81	M12x60	90	60	30	600
EP81 1275	81	M12x75	105	75	30	600
EP81 1290	81	M12x90	120	90	30	600
EP81 1212	81	M12x120	150	120	30	600

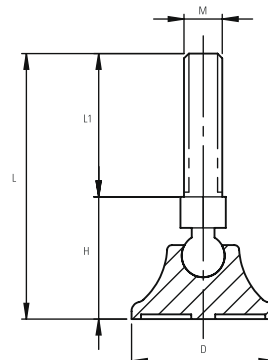
EP105 0845	105	M8x45	80	45	35	800
EP105 0860	105	M8x60	95	60	35	800
EP105 1045	105	M10x45	80	45	35	800
EP105 1060	105	M10x60	95	60	35	800
EP105 1075	105	M10x75	110	75	35	800
EP105 1090	105	M10x90	125	90	35	800
EP105 1012	105	M10x120	155	120	35	800
EP105 1245	105	M12x45	80	45	35	800
EP105 1260	105	M12x60	95	60	35	800
EP105 1275	105	M12x75	110	75	35	800
EP105 1290	105	M12x90	125	90	35	800
EP105 1212	105	M12x120	155	120	35	800

(Floor mount option)

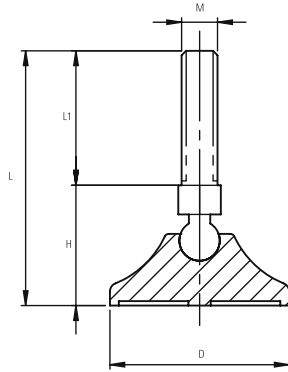


EP60 SERIES (19 - 22 SW) Ø60 Polyamide Articulated Feet

CODE	D (mm)	M	L (mm)	L1 (mm)	H (mm)	Load kg / pcs
EP60 1050	60	M10x50	100	50	50	500
EP60 1010	60	M10x100	150	100	50	500
EP60 1250	60	M12x50	100	50	50	500
EP60 1210	60	M12x100	150	100	50	500
EP60 1660	60	M16x60	110	60	50	500
EP60 1611	60	M16x110	160	110	50	500
EP60 1615	60	M16x150	200	150	50	500
EP60 1620	60	M16x200	250	200	50	500
EP60 2011	60	M20x110	160	110	50	500
EP60 2015	60	M20x150	200	150	50	500
EP60 2020	60	M20x200	250	200	50	500
EP60 2411	60	M24x110	160	110	50	500

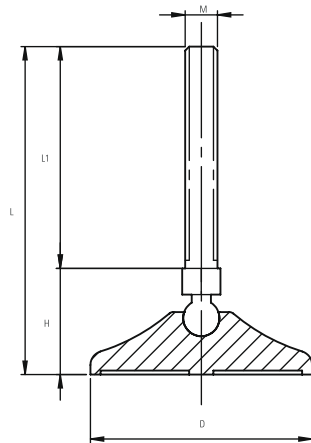


(19 - 22 SW) Ø80 Polyamide Articulated Feet **EP80 SERIES**



CODE	D (mm)	M	L (mm)	L1 (mm)	H (mm)	Load kg / pcs
EP80 1050	80	M10x50	100	50	50	600
EP80 1010	80	M10x100	150	100	50	600
EP80 1250	80	M12x50	100	50	50	600
EP80 1210	80	M12x100	150	100	50	600
EP80 1660	80	M16x60	110	60	50	600
EP80 1611	80	M16x110	160	110	50	600
EP80 1615	80	M16x150	200	150	50	600
EP80 1620	80	M16x200	250	200	50	600
EP80 2011	80	M20x110	160	110	50	600
EP80 2015	80	M20x150	200	150	50	600
EP80 2020	80	M20x200	250	200	50	600
EP80 2411	80	M24x110	160	110	50	600

(19 - 22 SW) Ø110 Polyamide Articulated Feet **EP11 SERIES**

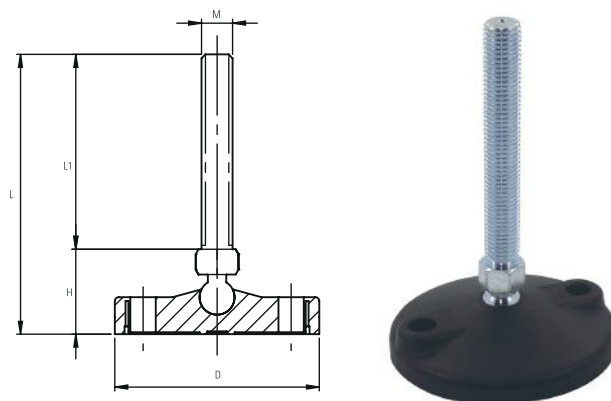


CODE	D (mm)	M	L (mm)	L1 (mm)	H (mm)	Load kg / pcs
EP11 1050	110	M10x50	100	50	50	1000
EP11 1010	110	M10x100	150	100	50	1000
EP11 1250	110	M12x50	100	50	50	1000
EP11 1210	110	M12x100	150	100	50	1000
EP11 1660	110	M16x60	110	60	50	1000
EP11 1611	110	M16x110	160	110	50	1000
EP11 1615	110	M16x150	200	150	50	1000
EP11 1620	110	M16x200	250	200	50	1000
EP11 2011	110	M20x110	160	110	50	1000
EP11 2015	110	M20x150	200	150	50	1000
EP11 2020	110	M20x200	250	200	50	1000
EP11 2411	110	M24x110	160	110	50	1000

EP105 SERIES (19 - 22 SW) Ø105 Polyamide Articulated Feet

CODE	D (mm)	M	L (mm)	L1 (mm)	H (mm)	Load kg / pcs
EP105 1050	105	M10x50	90	50	40	1000
EP105 1010	105	M10x100	140	100	40	1000
EP105 1250	105	M12x50	90	50	40	1000
EP105 1210	105	M12x100	140	100	40	1000
EP105 1660	105	M16x60	100	60	40	1000
EP105 1611	105	M16x110	150	110	40	1000
EP105 1615	105	M16x150	190	150	40	1000
EP105 1620	105	M16x200	240	200	40	1000
EP105 2011	105	M20x110	150	110	40	1000
EP105 2015	105	M20x150	190	150	40	1000
EP105 2020	105	M20x200	240	200	40	1000
EP105 2411	105	M24x110	150	110	40	1000

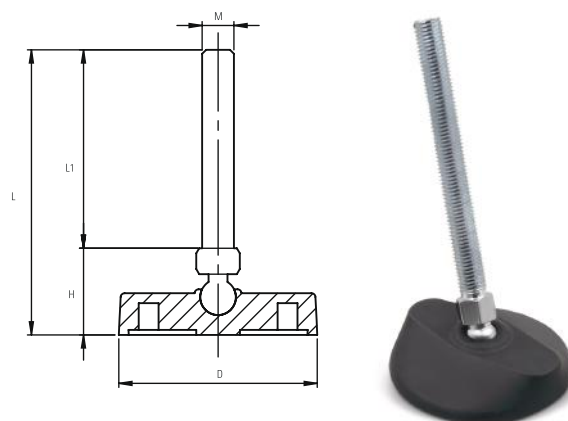
(Floor mount option)



EP10 SERIES (19 - 22 SW) Ø100 Polyamide Articulated Feet

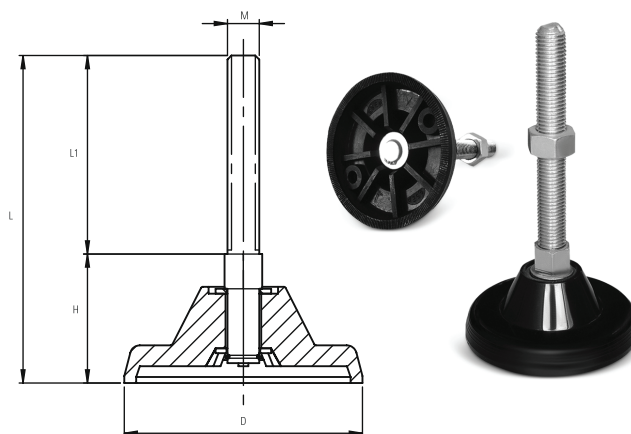
CODE	D (mm)	M	L (mm)	L1 (mm)	H (mm)	Load kg / pcs
EP10 1050	100	M10x50	100	50	50	800
EP10 1010	100	M10x100	150	100	50	800
EP10 1250	100	M12x50	100	50	50	800
EP10 1210	100	M12x100	150	100	50	800
EP10 1660	100	M16x60	110	60	50	800
EP10 1611	100	M16x110	160	110	50	800
EP10 1615	100	M16x150	200	150	50	800
EP10 1620	100	M16x200	250	200	50	800
EP10 2011	100	M20x110	160	110	50	800
EP10 2015	100	M20x150	200	150	50	800
EP10 2020	100	M20x200	250	200	50	800
EP10 2411	100	M24x110	160	110	50	800

(Floor mount option)



EP12 SERIES (24 SW) Ø120 Polyamide Articulated Feet

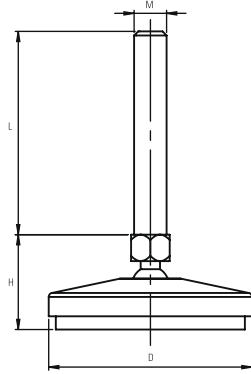
CODE	D (mm)	M	L (mm)	L1 (mm)	H (mm)	Load kg / pcs
EP12 1610	120	M16x100	170	100	70	1500
EP12 1616	120	M16x160	230	160	70	1500
EP12 2010	120	M20x100	170	100	70	1500
EP12 2016	120	M20x160	230	160	70	1500
EP12 2416	120	M24x160	230	160	70	1500



(Colored) Polyamide Articulated Feet **PC SERIES**



New Product



CODE	D (mm)	M	L (mm)	H (mm)	Load kg / pcs
PC 10 1050	100	M10x50	50	46	800
PC 10 1010	100	M10x100	100	46	800
PC 10 1250	100	M12x50	50	46	800
PC 10 1210	100	M12x100	100	46	800
PC 10 1660	100	M16x60	60	46	800
PC 10 1611	100	M16x110	110	46	800
PC 10 1615	100	M16x150	150	46	800
PC 10 1620	100	M16x200	200	46	800
PC 10 2011	100	M20x110	110	46	800
PC 10 2015	100	M20x150	150	46	800
PC 10 2020	100	M20x200	200	46	800
PC 10 2411	100	M24x110	110	46	800

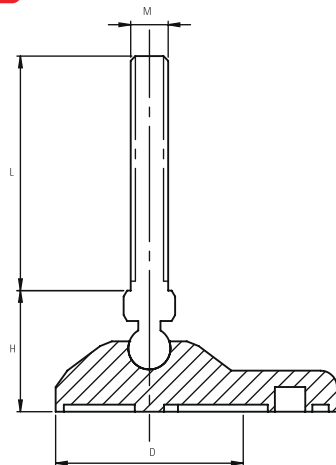
Add letter from the table below for colors (Floor mount option)



Polyamide Articulated Feet **PK SERIES**



New Product



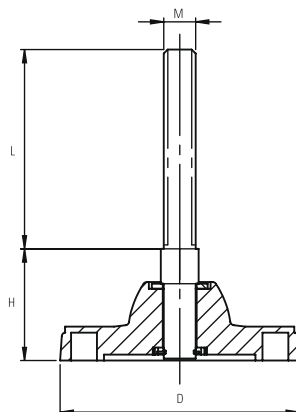
CODE	D (mm)	M	L (mm)	H (mm)	Load kg / pcs
PK 85 1050	80	M10x50	50	51	800
PK 85 1010	80	M10x100	100	51	800
PK 85 1250	80	M12x50	50	51	800
PK 85 1210	80	M12x100	100	51	800
PK 85 1660	80	M16x60	60	51	800
PK 85 1611	80	M16x110	110	51	800
PK 85 1615	80	M16x150	150	51	800
PK 85 1620	80	M16x200	200	51	800
PK 85 2011	80	M20x110	110	51	800
PK 85 2015	80	M20x150	150	51	800
PK 85 2020	80	M20x200	200	51	800
PK 85 2411	80	M24x110	110	51	800

(Floor mount option)

Fixed Bolt Polyamide Feet **PK SERIES**



New Product

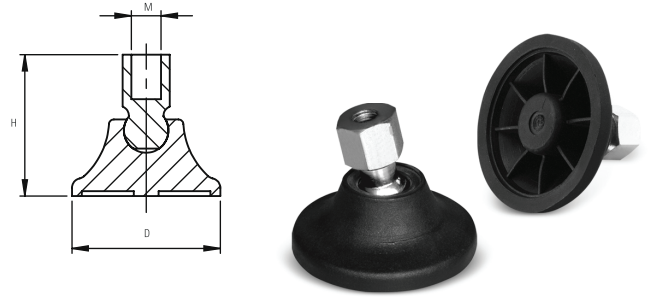


CODE	D (mm)	M	L (mm)	H (mm)	Load kg / pcs
PK 12 1610	120	M16x100	100	56	1250
PK 12 1615	120	M16x150	150	56	1250
PK 12 2010	120	M20x100	100	56	1250
PK 12 2016	120	M20x160	160	56	1250

(Floor mount option)

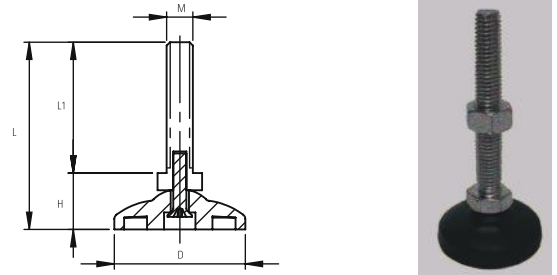
EPD SERIES Female Articulated Feet

CODE	D (mm)	M	H (mm)	Load kg / pcs
EPD60 M12	60	M12	50	500
EPD60 M16	60	M16	55	500
EPD80 M12	80	M12	50	600
EPD80 M16	80	M16	55	600
EPD11 M12	110	M12	50	1000
EPD11 M16	110	M16	55	1000
EPD12 M16	120	M16	70	1500



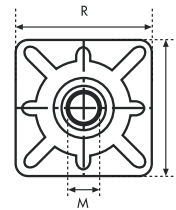
EPS50 SERIES Ø50 Polyamide Feet

CODE	D (mm)	M	L (mm)	L1 (mm)	H (mm)	Load kg / pcs
EPS 50 1050	50	M10x50	25	50	75	100
EPS 50 1270	50	M12x70	30	70	100	150
EPS 50 1610	50	M16x100	35	100	135	200



RT SERIES Profile Tube End

CODE	RxR (mm)	M	Profile
40X40 M12	40x40	M12	1.5 mm
40X40 M16	40x40	M16	1.5 mm
30X30 M10	30x30	M10	1.5 mm



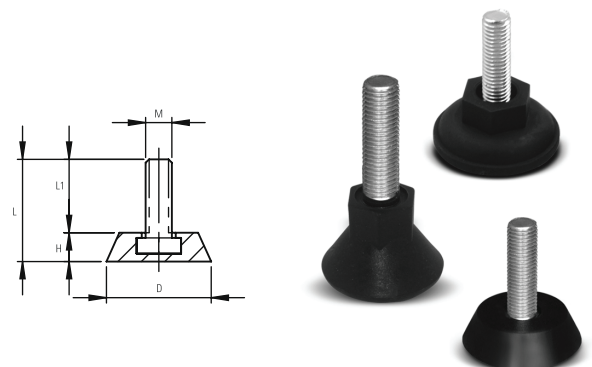
RT SERIES Profile Tube End Feet

CODE	RxR (mm)	M	Feet Diameter	Load kg / pcs
30x30 T	30x30	M10	25	300
40x40 T M12	40x40	M12	45	400
40x40 T M16	40x40	M16	40	500

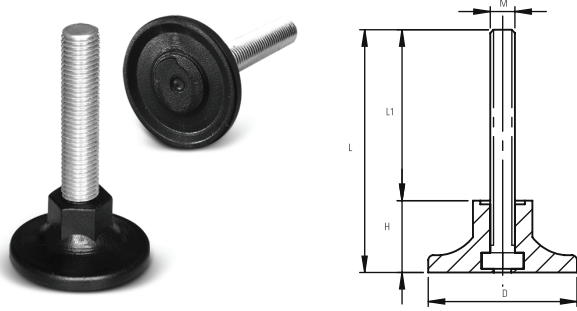


EPS SERIES Polyamide Feet

CODE	D (mm)	M	L (mm)	L1 (mm)	H (mm)	Load kg / pcs
EPS40 1030	40	M10X30	30	42	12	50
EPS45 1030	45	M10X30	30	50	20	75
EPS45 1050	45	M10X50	50	70	20	75
EPS45 1230	45	M12X30	30	50	20	75
EPS42 1230	42	M12X30	30	60	30	100
EPS42 1630	42	M16X30	30	60	30	150

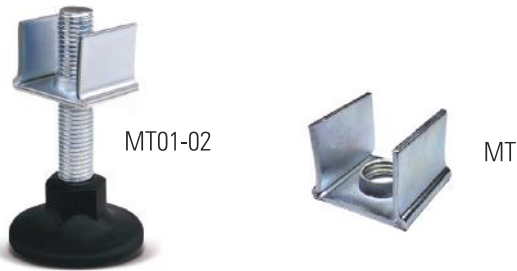


Polyamide Feet **EPS SERIES**



CODE	D (mm)	M	L (mm)	L1 (mm)	H (mm)	Load kg / pcs
EPS60 1070	60	M10X70	100	70	30	100
EPS60 1270	60	M12X70	100	70	30	150
EPS60 1680	60	M16X80	110	80	30	250

Profile Feet **MT SERIES**



CODE	Dimension	Base	M	Load kg / pcs
40x40 MT01	40x40	40 Ø	M16X40	500
40x40 MT02	40x40	60 Ø	M16X80	800
MT	40x40	—	—	—

Profile Feet **PT SERIES**



CODE	Dimension	Profile	Load kg / pcs
40X40 PT01	40x40	1.5 mm	500
40X40 PT02	40x40	1.5 mm	500

Polyamide Bases **EP SERIES**



CODE	D (mm)	Ball Diameter
EP 50	50	12
EP 80	80	12
EP 100	100	12
EP 60	60	18
EP 80	80	18
EP 110	110	18

Rubber Anti-Slip For Polyamide Feet **LT SERIES**

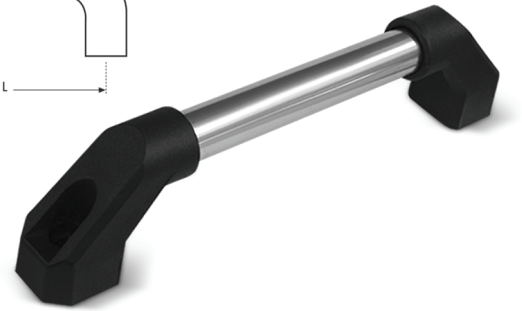
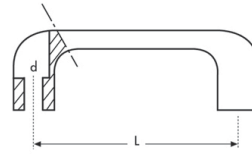


CODE	Diameter Ø
PED TABAN	Ø 40 - Ø 50
PED TABAN	Ø 60 - Ø 80
PED TABAN	Ø 100 - Ø 110
PED TABAN	Ø 120

EPT SERIES Aluminium Handle

CODE	L (mm)	Tube \emptyset	d (mm)
EPT 200	200	20	10
EPT 300	300	20	10
EPT 400	400	20	10
EPT 500	500	20	10

EPT	Plastic Part
-----	--------------



EPT SERIES Polyamide Handle (Colored)

CODE	L (mm)	d (mm)	Color
EPT 01	116	10	Black
EPT 02	138	10	Black
EPT 01 ?	116	10	Colorful
EPT 02 ?	138	10	Colorful

Add letter from the table below for colors

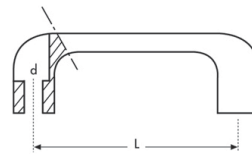


New Product



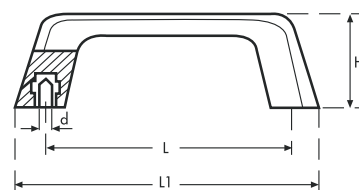
EPT SERIES Aluminium Handle

CODE	L (mm)	Tube \emptyset	d (mm)
EPT 130	130	16	M5
EPT 240	240	16	M5

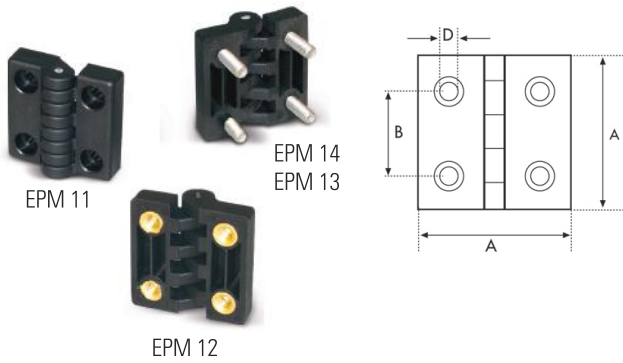


EPT SERIES Duroplast Handle

CODE	L (mm)	L1 (mm)	d (mm)	H (mm)
EBT 01	109	130	M6	44
EBT 02	129	160	M8	60

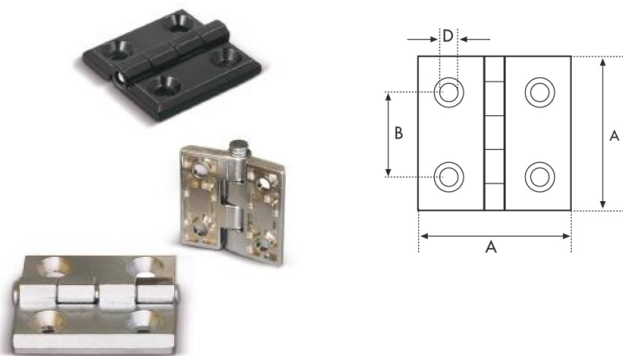


Polyamide Hinges EPM SERIES



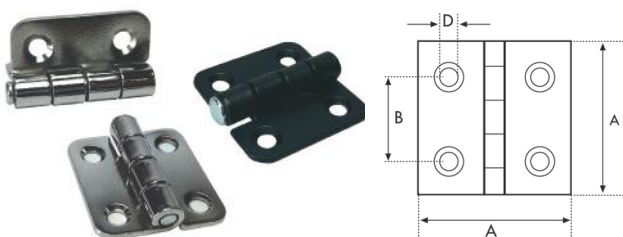
CODE	A (mm)	B (mm)	D (mm)
EPM 11	48	30	6.5 mm
EPM 12	48	30	M6
EPM 13	48	30	M6x15
EPM 14	48	30	M6x15

Zamak Hinges EPM SERIES



CODE	Feature	A (mm)	B (mm)	D (mm)
EPM 4040	Chrome	40	25	5
EPM 5050	Chrome	50	30	6
EMP 6060	Chrome	60	36	8
EPM 4040S	Black	40	25	5
EPM 5050S	Black	50	30	6
EMP 6060S	Black	60	36	8

Steel Sheet Hinges EKO SERIES



CODE	Feature	A (mm)	B (mm)	D (mm)
EKO 4040	Chrome	40	25	5
EKO 5050	Chrome	50	30	6
EKO 6060	Chrome	60	36	8
EKO 4040S	Black	40	25	5
EKO 5050S	Black	50	30	6
EKO 6060S	Black	60	36	8

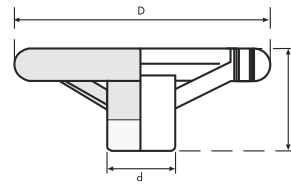
Locks K SERIES



CODE	Feature
K1	Latch lock
K2	DB lock key
K3	Triangle lock key
K2A	DB lock key
K3A	Triangle Lock key

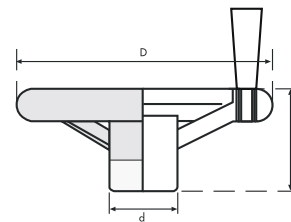
V SERIES Polyamide Handwheel

CODE	D (mm)	H (mm)	d (mm)	Hole
V 100	100	40	30	M8
V 125	125	45	30	M8
V 150	150	50	50	M10
V 200	200	55	50	M10



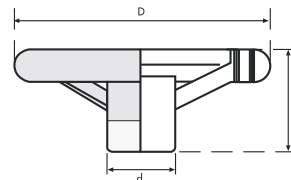
V2 SERIES Polyamide Handwheel with Revolving Handle

CODE	D (mm)	H (mm)	d (mm)	Hole	Revolving Handle
V2 100	100	40	30	M8	PDS 12
V2 125	125	45	30	M8	PDS 12
V2 150	150	50	50	M10	PDS 13
V2 200	200	55	50	M10	PDS 13



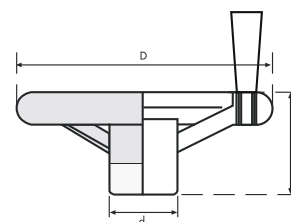
EPV SERIES Polyamide Handwheel

CODE	D (mm)	H (mm)	d (mm)	Hole
EPV 100	100	40	30	M6
EPV 125	125	50	40	M6
EPV 150	150	60	50	M8
EPV 175	175	65	50	M10
EPV 200	200	70	50	M10

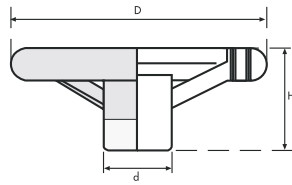


EPV2 SERIES Polyamide Handwheel with Revolving Handle

CODE	D (mm)	H (mm)	d (mm)	Hole	Revolving Handle
EPV2 100	100	40	30	M6	PDS 11
EPV2 125	125	50	40	M6	PDS 11
EPV2 150	150	60	50	M8	PDS 12
EPV2 175	175	65	50	M10	PDS 13
EPV2 200	200	70	50	M10	PDS 13

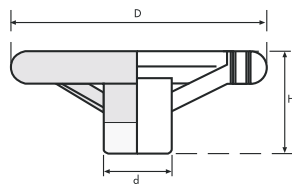


Aluminium Injection Handwheel **EAV SERIES**



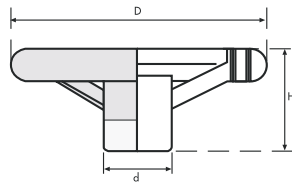
CODE	D (mm)	H (mm)	d (mm)
EAV 80	80	28	24
EAV 100	100	35	25
EAV 125	125	38	28
EAV 150	160	40	33
EAV 200	200	45	40
EAV 250	250	65	50

(Black Colored) Aluminium Injection Handwheel **EAV2 SERIES**



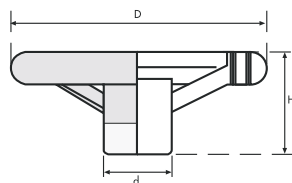
CODE	D (mm)	H (mm)	d (mm)
EAV2 80	80	28	24
EAV2 100	100	35	25
EAV2 125	125	38	28
EAV2 150	160	40	33
EAV2 200	200	45	40
EAV2 250	250	65	50

(Chrome Plated) Cost - Iron Handwheel **EDV SERIES**



CODE	D (mm)	H (mm)	d (mm)
EDV 100	100	35	30
EDV 125	125	40	40
EDV 150	150	45	45
EDV 200	200	50	50

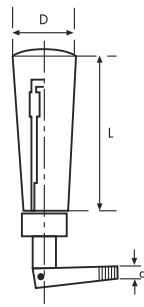
(Black Colored) Cost - Iron Handwheel **EDV2 SERIES**



CODE	D (mm)	H (mm)	d (mm)
EDV2 100	100	35	30
EDV2 125	125	40	40
EDV2 150	150	45	45
EDV2 200	200	50	50

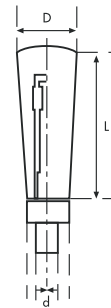
EVS SERIES Steel Fold-Away Handle

CODE	D (mm)	H (mm)	d (mm)	----
EVS 11	M 6	50	20	
EVS 12	M 8	65	22	
EVS 13	M10	70	24	



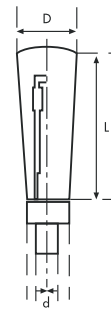
EDM SERIES Chrome Plated Revolving Handle

CODE	D (mm)	H (mm)	d (mm)	----
EDM 11	M 6	55	20	
EDM 12	M 8	70	22	
EDM 13	M10	70	24	



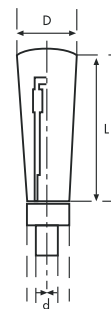
PDS SERIES Plastic Revolving Handle

CODE	D (mm)	H (mm)	d (mm)
PDS 11	M 6	50	21
PDS 12	M 8	60	22
PDS 13	M10	70	23
PDS14	M12	70	23



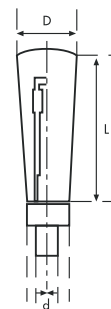
ADS SERIES Aluminium Revolving Handle

CODE	D (mm)	H (mm)	d (mm)
ADS 11	M 6	45	19
ADS 12	M 8	55	19
ADS 13	M10	75	24
ADS 14	M12	85	24



ADK SERIES Aluminium Revolving Handle (Matte Chrome)

CODE	D (mm)	H (mm)	d (mm)
ADK 11	M 6	45	19
ADK 12	M 8	55	19
ADK 13	M10	75	24
ADK 14	M12	85	24

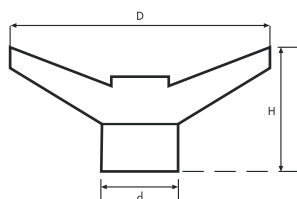


Spiral Hoses **ESK - ESB SERIES**



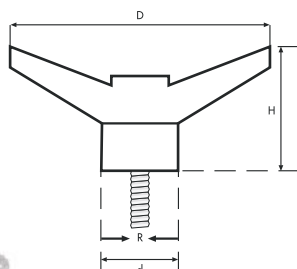
CODE	Color	Mouth	L (mm)	Connection
ESK	Orange	O	300	1/4
ESB	Orange	O	400	3/8
ESK G	Orange	V	300	1/4
ESB G	Orange	V	400	3/8
ESB1/2	Orange	O	400	1/2
ESB1/2G	Orange	V	400	1/2
Tap	ESK			

Polyamide Star Knob **ET SERIES**



CODE	D (mm)	d (mm)	R	H (mm)
ET 80 M10	80	30	M10	36
ET 100 M12	100	36	M12	45

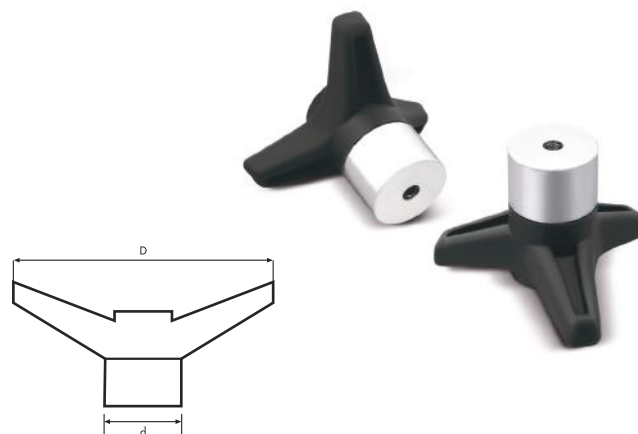
Polyamide Star Knob **ET SERIES**



CODE	D (mm)	d (mm)	R	H (mm)
ET 80 M10X30	80	30	M10X30	36
ET 80 M10X50	80	30	M10X50	36
ET 80 M10X80	80	30	M10X80	36
ET 100 M12X30	100	36	M12X30	45
ET 100 M12X50	100	36	M12X50	45
ET 100 M12X80	100	36	M12X80	45

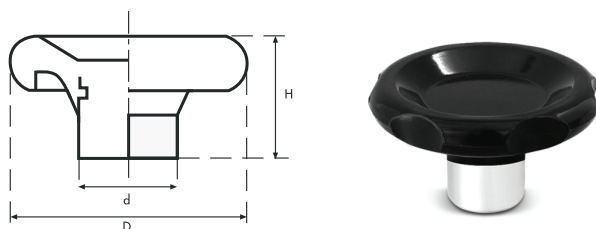
ET SERIES Polyamide Star Knob

CODE	D (mm)	d (mm)	-----	-----
ET 80	80	30		
ET 100	100	36		

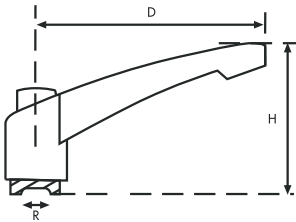


EBT SERIES Duroplast Handwheel

CODE	D (mm)	H (mm)	d (mm)
EBT 65	65	46	25
EBT 80	80	50	30
EBT 100	100	60	35

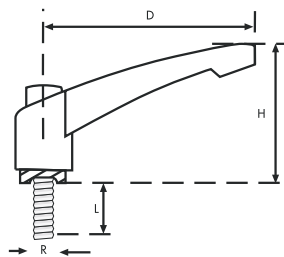


(Brass Bushed) **Polyamide Adjustable Handle SP SERIES**



CODE	D (mm)	R (mm)	Slot Length	H (mm)
SP60 06	60	M6	12	45
SP60 08	60	M8	12	45
SP60 10	60	M10	12	45
SP60 12	60	M12	12	45
SP80 06	80	M6	12	45
SP80 08	80	M8	12	45
SP80 10	80	M10	12	45
SP80 12	80	M12	12	45

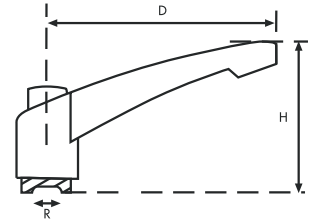
Polyamide Adjustable Handle SP SERIES



CODE	D (mm)	R (mm)	L (mm)	H (mm)
SP60 0630	60	M6x30	30	45
SP60 0640	60	M6x40	40	45
SP60 0830	60	M8x30	30	45
SP60 0840	60	M8x40	40	45
SP60 0850	60	M8x50	50	45
SP60 1030	60	M10x30	30	45
SP60 1040	60	M10x40	40	45
SP60 1050	60	M10x50	50	45
SP60 1060	60	M10x60	60	45
SP60 1230	60	M12x30	30	45
SP60 1240	60	M12x40	40	45
SP60 1250	60	M12x50	50	45
SP60 1260	60	M12x60	60	45
SP80 0630	80	M6x30	30	45
SP80 0640	80	M6x40	40	45
SP80 0830	80	M8x30	30	45
SP80 0840	80	M8x40	40	45
SP80 0850	80	M8x50	50	45
SP80 1030	80	M10x30	30	45
SP80 1040	80	M10x40	40	45
SP80 1050	80	M10x50	50	45
SP80 1060	80	M10x60	60	45
SP80 1230	80	M12x30	30	45
SP80 1240	80	M12x40	40	45
SP80 1250	80	M12x50	50	45
SP80 1260	80	M12x60	60	45

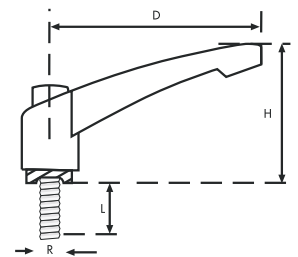
SPT SERIES Polyamide Adjustable Handle (Brass Bushed)

CODE	D (mm)	R (mm)	Slot Length	H (mm)
SPT60 06	60	M6	12	45
SPT60 08	60	M8	12	45
SPT60 10	60	M10	12	45
SPT60 12	60	M12	12	45
SPT80 06	80	M6	12	45
SPT80 08	80	M8	12	45
SPT80 10	80	M10	12	45
SPT80 12	80	M12	12	45

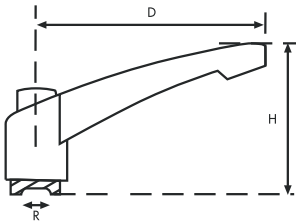


SPT SERIES Polyamide Adjustable Handle

CODE	D (mm)	R (mm)	L (mm)	H (mm)
SPT60 0630	60	M6x30	30	45
SPT60 0640	60	M6x40	40	45
SPT60 0830	60	M8x30	30	45
SPT60 0840	60	M8x40	40	45
SPT60 0850	60	M8x50	50	45
SPT60 1030	60	M10x30	30	45
SPT60 1040	60	M10x40	40	45
SPT60 1050	60	M10x50	50	45
SPT60 1060	60	M10x60	60	45
SPT60 1230	60	M12x30	30	45
SPT60 1240	60	M12x40	40	45
SPT60 1250	60	M12x50	50	45
SPT60 1260	60	M12x60	60	45
SPT80 0630	80	M6x30	30	45
SPT80 0640	80	M6x40	40	45
SPT80 0830	80	M8x30	30	45
SPT80 0840	80	M8x40	40	45
SPT80 0850	80	M8x50	50	45
SPT80 1030	80	M10x30	30	45
SPT80 1040	80	M10x40	40	45
SPT80 1050	80	M10x50	50	45
SPT80 1060	80	M10x60	60	45
SPT80 1230	80	M12x30	30	45
SPT80 1240	80	M12x40	40	45
SPT80 1250	80	M12x50	50	45
SPT80 1260	80	M12x60	60	45

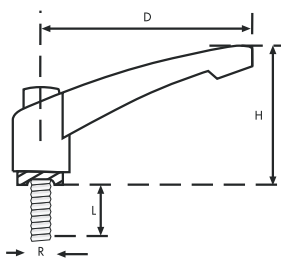


(Black) **Metal Female Adjustable Handle SM SERIES**



CODE	D (mm)	R (mm)	Slot Length	H (mm)
SM45 05	45	M5	10	36
SM45 06	45	M6	10	36
SM60 06	60	M6	12	40
SM60 08	60	M8	12	40
SM60 10	60	M10	12	40
SM60 12	60	M12	12	40
SM80 06	80	M6	12	45
SM80 08	80	M8	12	45
SM80 10	80	M10	12	45
SM80 12	80	M12	12	45
SM100 12	100	M12	20	55
SM100 14	100	M14	20	55
SM100 16	100	M16	20	55

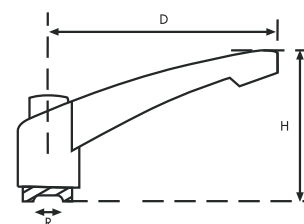
(Black) **Metal Adjustable Handle SM SERIES**



CODE	D (mm)	R (mm)	L (mm)	H (mm)
SM45 0515	45	M5x15	15	36
SM45 0530	45	M5x30	30	36
SM45 0615	45	M6x15	15	36
SM45 0630	45	M6x30	30	40
SM60 0630	60	M6x30	30	40
SM60 0650	60	M6x50	50	40
SM60 0830	60	M8x30	30	40
SM60 0850	60	M8x50	50	40
SM60 1030	60	M10x30	30	40
SM60 1050	60	M10x50	50	40
SM60 1230	60	M12x30	30	40
SM60 1250	60	M12x50	50	40
SM80 0630	80	M6x30	30	45
SM80 0650	80	M6x50	50	45
SM80 0830	80	M8x30	30	45
SM80 0850	80	M8x50	50	45
SM80 1030	80	M10x30	30	45
SM80 1050	80	M10x50	50	45
SM80 1230	80	M12x30	30	45
SM80 1250	80	M12x50	50	45
SM100 1230	100	M12x30	30	55
SM100 1250	100	M12x50	50	55
SM100 1440	100	M14x40	40	55
SM100 1460	100	M14x60	60	55
SM100 1640	100	M16x40	40	55
SM100 1660	100	M16x60	60	55

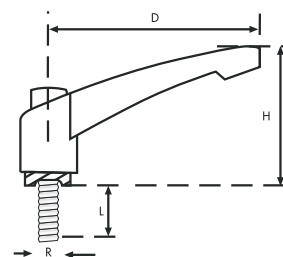
SMT SERIES Metal Female Adjustable Handle (Orange)

CODE	D (mm)	R (mm)	Slot Length	H (mm)
SMT45 05	45	M5	10	36
SMT45 06	45	M6	10	36
SMT60 06	60	M6	12	40
SMT60 08	60	M8	12	40
SMT60 10	60	M10	12	40
SMT60 12	60	M12	12	40
SMT80 06	80	M6	12	45
SMT80 08	80	M8	12	45
SMT80 10	80	M10	12	45
SMT80 12	80	M12	12	45
SMT100 12	100	M12	20	55
SMT100 14	100	M14	20	55
SMT100 16	100	M16	20	55

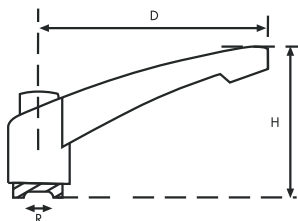


SMT SERIES Metal Adjustable Handle (Orange)

CODE	D (mm)	R (mm)	L (mm)	H (mm)
SMT45 0515	45	M5x15	15	36
SMT45 0530	45	M5x30	30	36
SMT45 0615	45	M6x15	15	36
SMT45 0630	45	M6x30	30	36
SMT60 0630	60	M6x30	30	40
SMT60 0650	60	M6x50	50	40
SMT60 0830	60	M8x30	30	40
SMT60 0850	60	M8x50	50	40
SMT60 1030	60	M10x30	30	40
SMT60 1050	60	M10x50	50	40
SMT60 1230	60	M12x30	30	40
SMT60 1250	60	M12x50	50	40
SMT80 0630	80	M6x30	30	45
SMT80 0650	80	M6x50	50	45
SMT80 0830	80	M8x30	30	45
SMT80 0850	80	M8x50	50	45
SMT80 1030	80	M10x30	30	45
SMT80 1050	80	M10x50	50	45
SMT80 1230	80	M12x30	30	45
SMT80 1250	80	M12x50	50	45
SMT100 1230	100	M12x30	30	55
SMT100 1250	100	M12x50	50	55
SMT100 1440	100	M14x40	40	55
SMT100 1460	100	M14x60	60	55
SMT100 1640	100	M16x40	40	55
SMT100 1660	100	M16x60	60	55

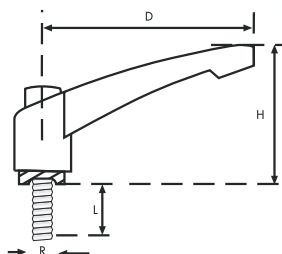


Metal Female Adjustable Handle **SMK SERIES**



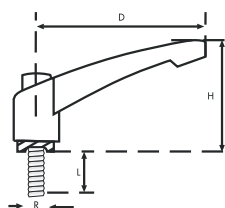
CODE	D (mm)	R (mm)	Slot Length	H (mm)
SMK45 05	45	M5	10	36
SMK45 06	45	M6	10	36
SMK60 06	60	M6	12	40
SMK60 08	60	M8	12	40
SMK60 10	60	M10	12	40
SMK60 12	60	M12	12	40
SMK80 06	80	M6	12	45
SMK80 08	80	M8	12	45
SMK80 10	80	M10	12	45
SMK80 12	80	M12	12	45
SMK100 12	100	M12	20	55
SMK100 14	100	M14	20	55
SMK100 16	100	M16	20	55

Metal Adjustable Handle **SMK SERIES**



CODE	D (mm)	R (mm)	L (mm)	H (mm)
SMK45 0515	45	M5x15	15	36
SMK45 0530	45	M5x30	30	36
SMK45 0615	45	M6x15	15	36
SMK45 0630	45	M6x30	30	36
SMK60 0630	60	M6x30	30	40
SMK60 0650	60	M6x50	50	40
SMK60 0830	60	M8x30	30	40
SMK60 0850	60	M8x50	50	40
SMK60 1030	60	M10x30	30	40
SMK60 1050	60	M10x50	50	40
SMK60 1230	60	M12x30	30	40
SMK60 1250	60	M12x50	50	40
SMK80 0630	80	M6x30	30	45
SMK80 0650	80	M6x50	50	45
SMK80 0830	80	M8x30	30	45
SMK80 0850	80	M8x50	50	45
SMK80 1030	80	M10x30	30	45
SMK80 1050	80	M10x50	50	45
SMK80 1230	80	M12x30	30	45
SMK80 1250	80	M12x50	50	45
SMK100 1230	100	M12x30	30	55
SMK100 1250	100	M12x50	50	55
SMK100 1440	100	M14x40	40	55
SMK100 1460	100	M14x60	60	55
SMK100 1640	100	M16x40	40	55
SMK100 1660	100	M16x60	60	55

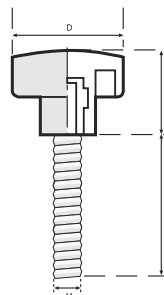
Polyamide Adjustable Handle with Stainless Steel Bolt **SPX SERIES**



CODE	D (mm)	R (mm)	L (mm)	H (mm)
SPX 60 0630	60	M6X30	30	45
SPX 60 0830	60	M8X30	30	45
SPX 60 1030	60	M10X30	30	45
SPX 60 1230	60	M12X30	30	45
SPX 80 0630	80	M6X30	30	45
SPX 80 0830	80	M8X30	30	45
SPX 80 1030	80	M10X30	30	45
SPX 80 1230	80	M12X30	30	45

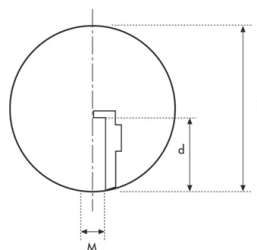
KP SERIES Plastic Knob

CODE	D (mm)	M	H (mm)	L (mm)
KP 63 1050	63	M10x50	35	50
KP 63 1060	63	M10x60	35	60
KP 63 1070	63	M10x70	35	70
KP 63 1250	63	M12x50	35	50
KP 63 1260	63	M12x60	35	60
KP 63 1270	63	M12x70	35	70



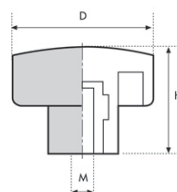
TP SERIES Duroplast Ball

CODE	D (mm)	M	d (mm)
TP 25 06	25	M6	10
TP 25 08	25	M8	14
TP 30 06	30	M6	10
TP 30 08	30	M8	14
TP 30 10	30	M10	16
TP 35 06	35	M6	10
TP 35 08	35	M8	14
TP 35 10	35	M10	16
TP 40 08	40	M8	14
TP 40 10	40	M10	16
TP 40 12	40	M12	20

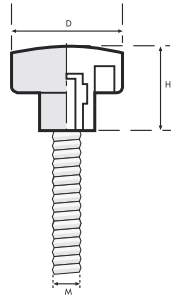


KE SERIES Duroplast Female Knob

CODE	D (mm)	M	H (mm)
KE 30 06	30	M 6	26
KE 30 08	30	M 8	26
KE 40 06	40	M 6	29
KE 40 08	40	M 8	29
KE 40 10	40	M 10	29
KE 50 08	50	M 8	32
KE 50 10	50	M 10	32
KE 50 12	50	M 12	32
KE 63 08	63	M 8	38
KE 63 10	63	M 10	38
KE 63 12	63	M 12	38

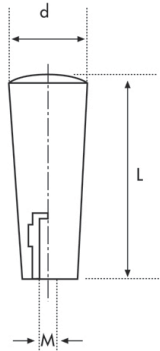


Duroplast Knob **KE SERIES**



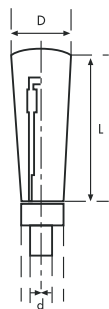
CODE	D (mm)	M	H (mm)
KE 30 0615	30	M6x15	26
KE 30 0820	30	M8x20	26
KE 40 0620	40	M6x20	29
KE 40 0820	40	M8x20	29
KE 40 1025	40	M10x25	29
KE 50 0825	50	M8x25	32
KE 50 1030	50	M10x30	32
KE 50 1235	50	M12x35	32
KE 63 0830	63	M8x30	38
KE 63 1030	63	M10x30	38
KE 63 1235	63	M12x35	38

Duroplast Knob **KOL SERIES**



CODE	D (mm)	M	d (mm)
KOL 18 06	M6	40	18
KOL 21 08	M8	50	21
KOL 23 10	M10	60	23
KOL 26 10	M10	75	26
KOL 28 12	M12	90	28

Duroplast Handle **KOL SERIES**



CODE	d	L (mm)	D (mm)
KOL 18 06E	M6	40	18
KOL 21 08E	M8	50	21
KOL 23 10E	M10	60	23
KOL 26 10E	M10	75	26
KOL 28 12E	M12	90	28